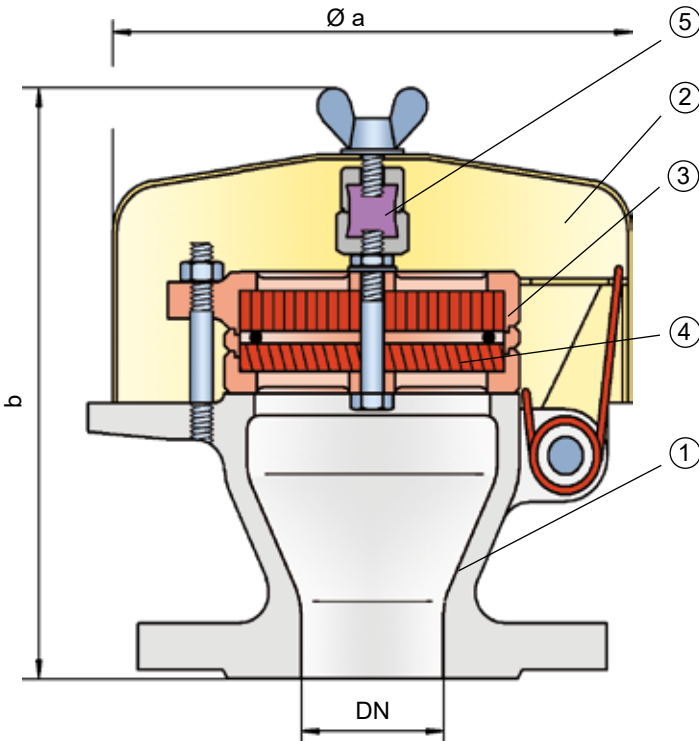


# Deflagration Flame Arrester, endurance burning-proof, End-of-Line

## PROTEGO® BE-HK-E-IIB3



⑤ The PROTEGO® BE-HK-E end-of-line deflagration flame arrester is available for hydrocarbons for explosion group IIB3 (MESG ≥ 0,65 mm) and alcohols.

③ The standard design can be used for operating temperatures up to +60°C / 140°F.

Type-approved in accordance with ATEX Directive and EN ISO 16852 as well as other international standards. Approved according to IMO MSC/Circular 677 as well as IMO MSC.1/Circular 1324 and 1325.

### Special Features and Advantages

- ① • endurance burning protection for alcohols and hydrocarbons up to explosion group IIB3
- specially developed for inland navigation vessels and on shore systems
- weather hood protects against environmental impact (i.e. weather, bird nests, etc.)
- weather hood will open and signal the impact of a flame
- fusible link is resistant against chemicals
- modular design allows replacement of single FLAMEFILTER®
- easy maintenance
- protection against atmospheric deflagration and endurance burning
- modular design results in low spare part cost

### Function and Description

The PROTEGO® BE-HK-E-IIB3 end-of-line deflagration flame arrester was specifically developed for vessels which are not pressurized and store Ethanol or other alcohols. The combustion of alcohol requires a modified flame arrester element design to provide protection against endurance burning. In addition, the device provides protection against atmospheric deflagration. Main application area is on suction and vent lines, for inland navigation vessels and on shore systems with the goal to prevent flame transmission caused by endurance burning or atmospheric deflagration.

The PROTEGO® BE-HK-E-IIB3 consists of a housing (1), a weather hood (2) and the PROTEGO® flame arrester unit (3). During normal operation the metal weather hood is in a closed position. If a stabilized flame burns on the flame arrester element surface, the fusible link (5), located in a center position, will melt and let the spring loaded weather hood move into the open position. The PROTEGO® flame arrester unit consists of two FLAMEFILTER® discs (4), which are installed in a FLAMEFILTER® casing.

### Design Types and Specifications

There are two different designs:

End-of-line deflagration flame arrester, basic design **BE-HK-E - [ - ]**

End-of-line deflagration flame arrester with heating jacket **BE-HK-E - [ H ]**

Special designs available upon request.

**Table 1: Dimensions**

Dimensions in mm / inches

DN	80 / 3"
a	218 / 8.58
b	200 / 7.87

Dimensions for deflagration flame arrester with heating jacket upon request.

**Table 2: Selection of explosion group**

MESG	Expl. Gr. (IEC/CEN)	Gas Group (NEC)	Special approvals upon request.
≥ 0,65 mm	IIB3	C	

**Table 3: Material selection for housing**

Design	B	C	Special materials upon request.	
Housing	Steel	Stainless Steel		Hastelloy
Weather hood	Steel	Stainless Steel		Stainless Steel/ ECTFE
Flame arrester unit	A	A, C		C

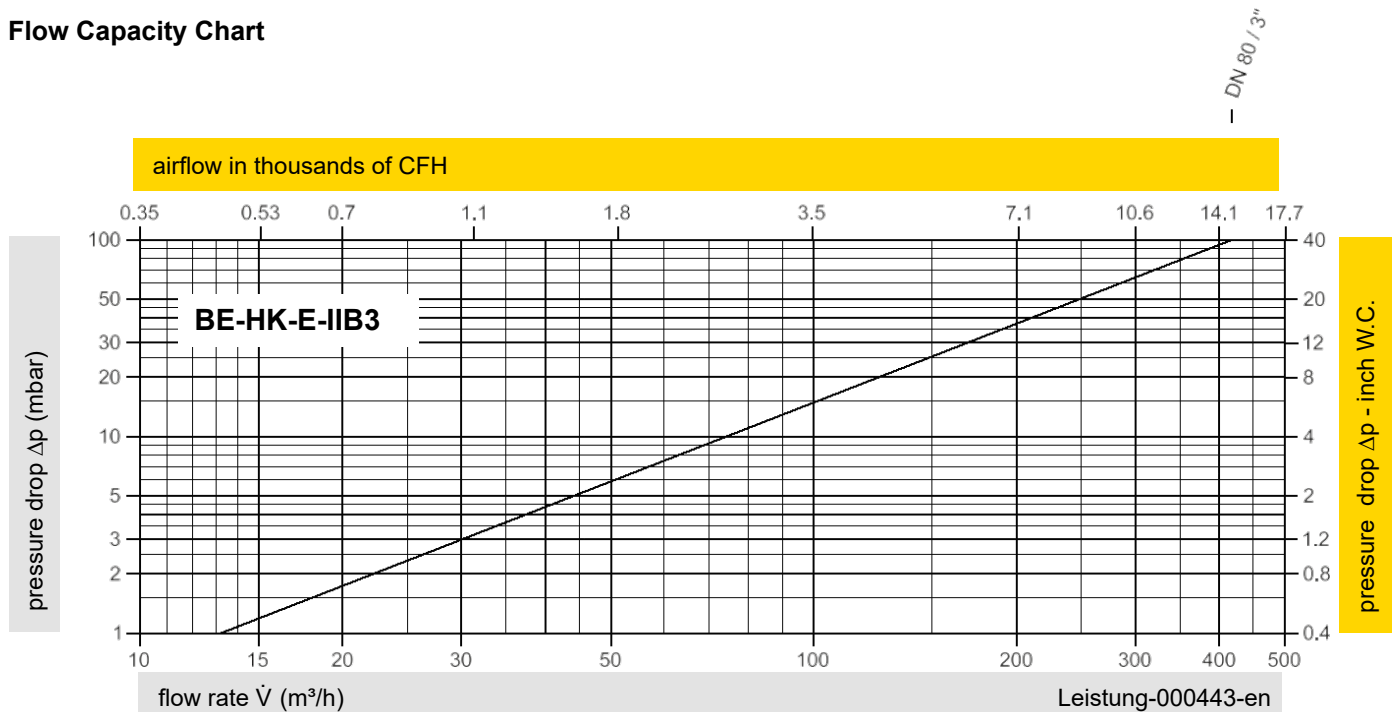
**Table 4: Material combinations of flame arrester unit**

Design	A	C	Special materials upon request.
FLAMEFILTER® casing	Stainless Steel	Stainless Steel	
FLAMEFILTER®	Stainless Steel	Hastelloy	
Spacer	Stainless Steel	Hastelloy	

**Table 5: Flange connection type**

EN 1092-1; Form B1	Other types upon request.
ASME B16.5 CL 150 R.F.	

**Flow Capacity Chart**



The flow capacity charts have been determined with a calibrated and TÜV certified flow capacity test rig. Volume flow  $\dot{V}$  in (m³/h) and CFH refer to the standard reference conditions of air in ISO 6358 (20°C, 1bar). For conversion to other densities and temperatures, refer to Sec. 1: "Technical Fundamentals."

