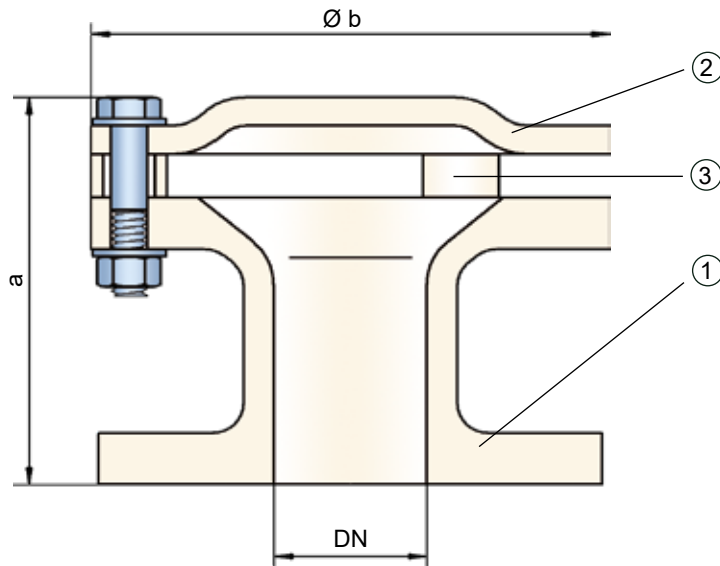


Vent Cap, End-of-Line

PROTEGO® E/KS



Function and Description

The E/KS vent cap allows vessels which are not pressurize to vent. The vent cap is made out of plastic and is the best solution in applications with aggressive media. This E/KS vent cap prevents rain and dirt from entering the vent line. The device is not flame transmission proof. It is often used in combination with detonation flame arresters, when those are used in vent lines, installed at a position which creates a long run up distance from the end of the vent line to prevent endurance burning. The E/KS vent cap will then be installed at the end of that vent line to prevent particles or rain from entering the line.

The vent caps main components are a housing (1), a weather hood (2) and spacers (3).

Special Features and Advantages

- vent cap provides protection against environmental impact (harsh weather conditions, bird nests, etc.)
- cost effective device
- almost maintenance free
- certified flow performance curves

Design Types and Specification

Vent cap, basic design

E/KS

Special designs available upon request.

Table 1: Dimensions

Dimensions in mm / inches

To select the nominal size (DN), please use the flow capacity chart on the following page.

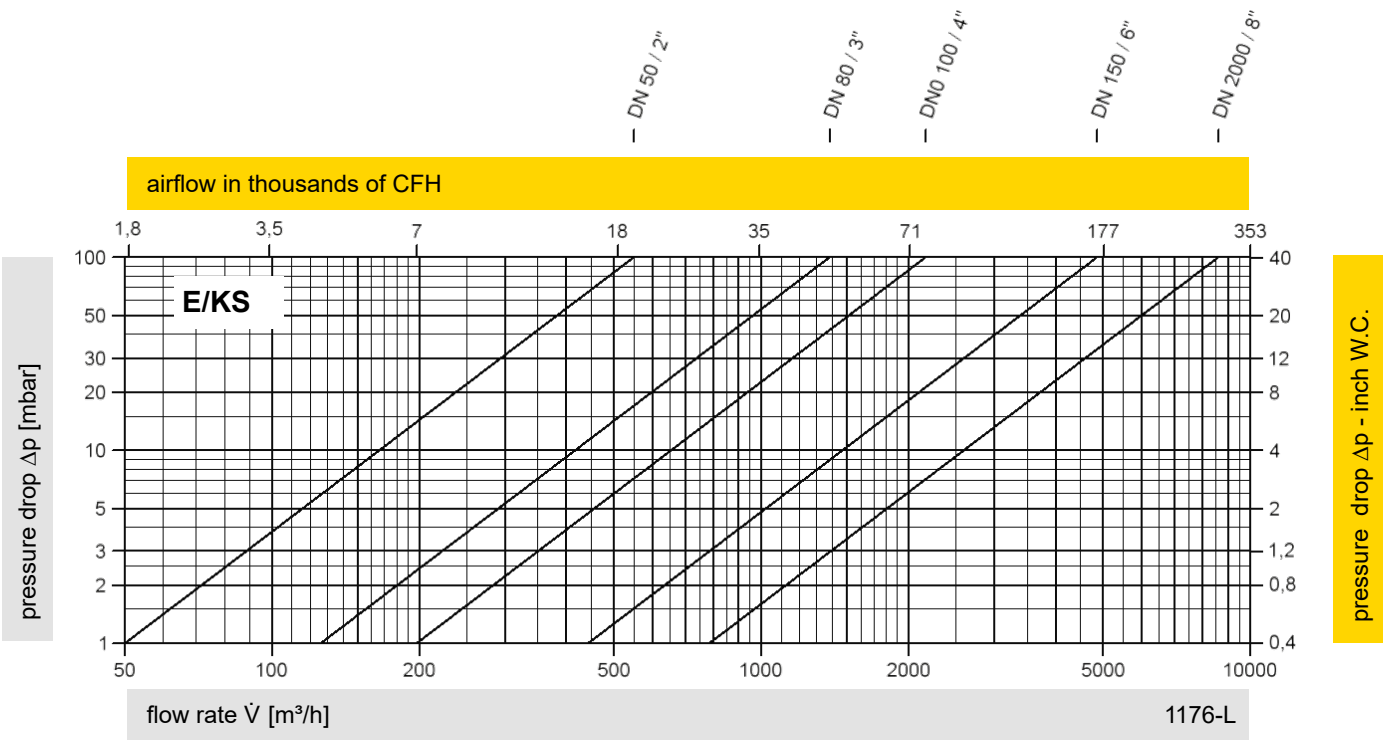
DN	50 / 2"	80 / 3"	100 / 4"	150 / 6"	200 / 8"
a	135 / 5.31	140 / 5.51	145 / 5.71	195 / 7.68	200 / 7.87
b	170 / 6.69	230 / 9.06	300 / 11.81	375 / 14.76	450 / 17.72

Table 2: Material selection

Design	A	B	C	
Housing	PE	PP	PVDF	Special materials upon request.
Weather hood	PE	PP	PVDF	

Table 3: Flange connection type

EN 1092-1, Form B1 or DIN 2501, Form C, PN 16; from DN 200 PN 10	Other types upon request.
ASME B16.5 CL 150 F.F.	



The flow capacity charts have been determined with a calibrated and TÜV certified flow capacity test rig. Volume flow \dot{V} in (m³/h) and CFH refer to the standard reference conditions of air in ISO 6358 (20°C, 1bar). For conversion to other densities and temperatures, refer to Sec. 1: "Technical Fundamentals."

