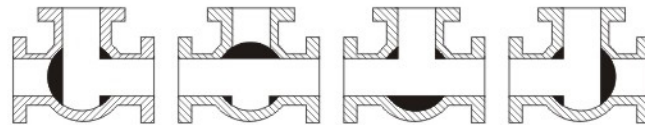
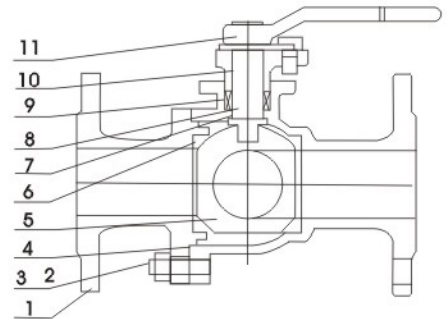
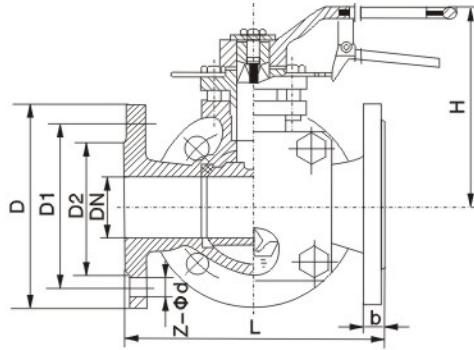


JIS Three Way Flanged Ball Valve



GB/T 12237—1989, DIN 3357/1, API 608
 GB/T911 3.1, JB/T 79, DIN 3202, JIS B2002, ASME B16.10
 GB/T12221—1989, DIN 3202, JIS B2002, ASME 16.10
 GB/T13927 DIN 3230/3, API 598 JIS B 2003

Use and specifications

The valve is applied in the pipes with the media such as water, steam and oil with the working temperature less than or equal to 150°C to change the flow direction and connect or cut off the media in pipes

Feature

Design standard: GB/T 12237—1989, DIN 3357/1, API 608
 Flange standard: GB/T 911 3.1, JB/T 79, DIN 3202, JIS B2002, ASME B16.10
 Structural standard: GB/T12221—1989, DIN 3202, JIS B2002, ASME 16.10
 Test standard: GB/T 13927 DIN 3230/3, API 598 JIS B 2003

Main external and connecting dimensions

GB STANDARD (PN1.6MPa)															
DN		15	20	25	32	40	50	65	80	100	125	150	200	250	300
(mm)	L	150	160	180	200	220	240	260	280	320	380	440	550	670	720
	D	95	105	115	135	145	160	180	195	215	245	280	335	405	460
	D1	65	75	85	100	110	125	145	160	180	210	240	295	355	410
	Z-φd	4-14	4-14	4-18	4-18	4-18	4-18	4-18	4-18	8-18	8-18	8-18	8-23	12-23	12-25
JIS STANDARD (10K)															
(mm)	L	150	160	180	200	220	240	260	280	320	380	440	550	670	720
	D	95	100	125	135	140	155	175	185	210	250	280	330	400	445
	D1	70	75	90	100	105	120	140	150	175	210	240	290	355	400
	Z-φd	4x15	4x5	4x19	4x19	4x19	4x19	4x19	4x19	8x19	8x19	8x23	8x23	12x23	12x25
ANSI STANDARD (150Lb)															
(mm)	L	150	160	180	200	220	240	260	280	320	380	440	550	670	720
	D	89	98	108	117	127	152	178	190	229	254	279	343	406	483
	D1	60.5	70	79.5	89	98.5	121	140	153	191	216	242	299	362	432
	Z-φd	4x15	4x15	4x15	4x15	4x15	4x19	4x19	4x19	8x19	8x22	8x22	8x22	12x25	12x25