

## Pneumatic Universal Type Wafer Butterfly Valve



### Features

Simple and compact construction

Small in size and light in weight

Quick 90° on-off operation, low torque

Good sealing capability, no leakage

360° polished disc assures positive on-off

Bi-directional, low torque, long service life

Epoxy coated body, smooth surface

**One valve body can meet multi-standards flanges, including DIN, JIS, ANSI, BS, EN, GB, etc. at the same time**

### Technical Specifications

Size: DN40~350 (1.5" ~ 14")

Pressure: PN10, PN16, Class125

Body Materials: Cast iron A126 B (GG25), Ductile iron A536 65-45-12 (GGG40), A216 WCB, Stainless Steel S.S.304(CF8), S.S.316(CF8M), Bronze B148 C954

Seat Materials: NBR, EPDM, VITON, PTFE

Disc Materials: Ductile iron, S.S.304 (CF8), S.S.316 (CF8M), bronze C958

Stem Materials: AISI416, AISI304, AISI316

End Connection: Wafer

Valve Design: API 609, MSS SP-67

Face to Face: API 609, MSS SP-67, DIN3202, BS EN558-1

Pressure Test: API 598

Flange Drilling: ANSI B16.1 125LB, BS4504 PN10/PN16, DIN2501 PN10/PN16

Top Flange: ISO5211

Disc Type: With-pin, whole shaft without pin, half shaft without pin

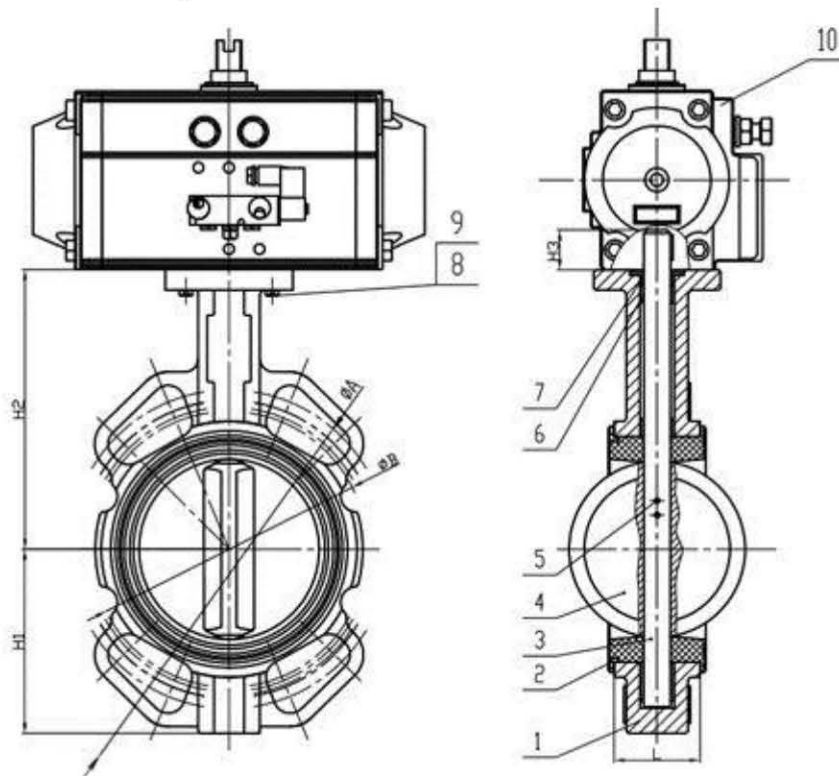
Operate: Lever, worm gear

Applicable medium: water, sewage, sea water, air, low corrosive liquids

Applicable temperature: -45°C~+150°C (higher temperature is available upon request)

### Main Parts and Materials

Item	Parts	Materials
1	Body	Cast iron A126 B (GG25), Ductile iron A536 65-45-12 (GGG40) Stainless Steel S.S.304(CF8), Stainless Steel S.S.316(CF8M) Cast steel A216 WCB, Bronze B148 C954
2	Seat	NBR, EPDM, VITON, PTFE
3	Shaft	AISI416, AISI431, AISI304, AISI316
4	Disc	Ductile iron S.S.304(CF8), S.S.316(CF8M) Steel A216 WCB, Bronze B148 C954
5	Pin	AISI416, AISI431, AISI304, AISI316
6	Packing	NBR, EPDM
7	Bushing	Bronze, PTFE
8	Bolts	A193 B7, SUS304
9	Nuts	A194 2H, SUS304
10	Pneumatic Actuator	Double acting or single acting



### Main Connection Dimensions (mm)

SIZE		H1	H2	H3	L	PN 10/16			150LB			JIS 10K			ISO5211
mm	in					øA	øB	N-ød	øA	øB	N-ød	øA	øB	N-ød	Top Flange
40	1.5"	65	128	32	43	110	95	4-ø18	110	95	4-ø19	110	95	4-ø19	F05
50	2"	75	129	32	43	125	105	4-ø18	125	105	4-ø19	125	105	4-ø19	F05
65	2½"	82	136	32	46	145	127	4-ø18	145	127	4-ø19	145	127	4-ø19	F05
80	3"	99	153	32	46	160	145	8-ø18	160	145	4-ø19	160	145	8-ø19	F05
100	4"	110	167	32	52	190.5	165	8-ø18	190.5	165	8-ø19	190.5	165	8-ø19	F07
125	5"	125	193	32	56	215.9	200	8-ø18	215.9	200	8-ø22.4	215.9	200	8-ø23	F07
150	6"	145	209	32	56	241.3	225	8-ø22	241.3	225	8-ø22.4	241.3	225	8-ø23	F07
200	8"	170	251	40	60	298.4	280	8-ø22	298.4	280	8-ø22.4	298.4	280	12-ø23	F10
250	10"	210	280	45	68	361.9	350	8-ø18	361.9	350	8-ø22.4	361.9	350	8-ø23	F10
300	12"	240	315	45	78	431.8	400	8-ø22	431.8	400	8-ø22.4	431.8	400	8-ø23	F10
350	14"	260	346	45	78	476.2	445	8-ø22	476.2	445	8-ø22.4	476.2	445	12-ø23	F10

#### Notes:

As we are constant endeavoring to improve the performance of our equipment.

The company reserves the right to make alteration from time to time and equipment differ from that detailed in this brochure.