

LUG TYPE BUTTERFLY VALVE RUBBER LINED



FEATURES

Simple and compact construction

Small in size and light in weight

Quick 90° on-off operation, low torque

Good sealing capability, no leakage

It can be mounted wherever needed

PN10 / PN16 / 125LB / 150LB / JIS10K / 150PSI / 200PSI

Size: 2" ~ 24" (DN50~600mm)

Materials: A126 B (GG25), A536 65-45-12 (GGG40), A216 WCB, S.S.304(CF8), S.S.316(CF8M), B148 C954

Matching flanges: ANSI B16.1, EN 1092, JIS10K, AS 2129

Face to face: ANSI B16.10, EN 558-1, API609

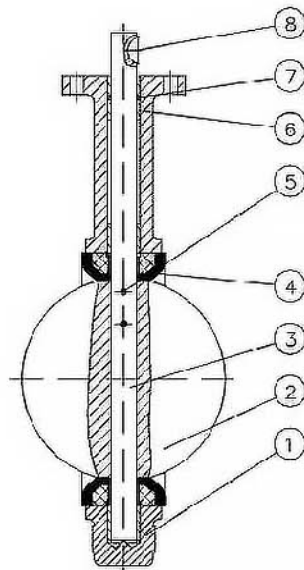
Top flange: ISO 5211

Inspection & testing: API598, GB13927

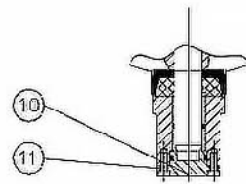
Design: ASME B16.34

Applicable medium: water, sewage, sea water, air, corrosive liquids

Applicable temperature: -45°C~+150°C (higher temperature is available upon request)



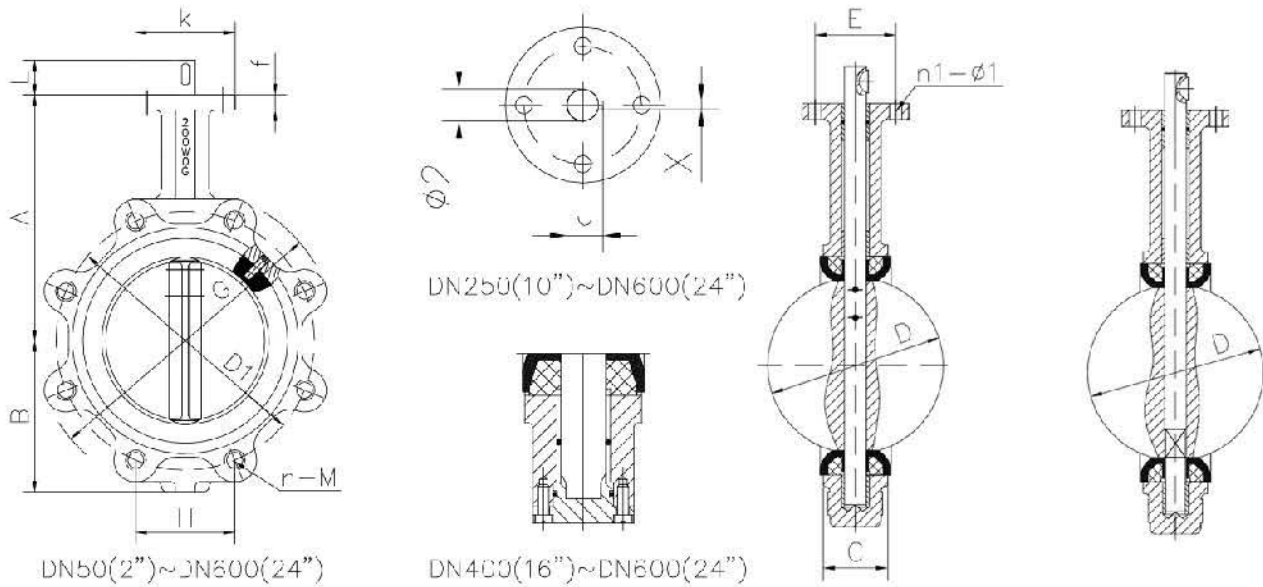
DN40(1.5")~DN350(14")



DN40C(16")~DN60C(24")

PARTS AND MATERIALS

NO.	PARTS	MATERIALS
1	Body	C.I., D.I., WCB, ALB, CF8 (S.S.304), CF8M (S.S.316)
2	Disc	D.I., CF8 (S.S.304), CF8M (S.S.316), ALB, Duplex S.S., Hastelloy Alloy, Monel
3	Stem	SUS416, SUS304, SUS316, SUS431, 17-4PH
4	Seat	NR, NBR, EPDM, VITON
5	Taper pin	SUS416, SUS316, SUS431, 17-4PH
6	Bushing	Bronze, PTFE
7	O-Ring	NBR, EPDM
8	Key	45#, 1045
9	Bearing	Bearing Steel
10	End cover	C.I., WCB, CF8 (S.S.304), CF8M (S.S.316)
11	Bolt	Q235, Gr.33, 35#, 1035, SUS304



MAIN CONNECTION DIMENSIONS

Size		A	B	C	D	L	H	D1	n-M	K	E	n1-Ø1	Ø2	G	j	X	f	Weight (Kg)
mm	inch																	
50	2	161	80	43	53	28	88.38	125	4-M16	65	50	4-7	12.6	155	13.8	3	13	3.5
65	2.5	175	89	46	64	28	102.54	145	4-M16	65	50	4-7	12.6	179	13.8	3	13	4.6
80	3	181	95	46	79	28	61.23	160	8-M16	65	50	4-7	12.6	190	13.8	3	13	5.6
100	4	200	114	52	104	28	68.88	180	8-M16	90	70	4-10	15.77	220	17.77	5	13	7.6
125	5	213	127	56	123	28	80.36	210	8-M16	90	70	4-10	18.92	254	20.92	5	13	10.4
150	6	226	139	56	156	28	91.84	240	8-M20	90	70	4-10	18.92	285	20.92	5	13	12.2
200	8	260	175	60	202	38	112.89	295	8-M20	125	102	4-12	22.1	339	24.1	5	15	19.7
							76.35		12-M20									
250	10	292	203	68	250	38	90.59	350	12-M20	125	102	4-12	28.45	406	31.45	8	15	31.4
							91.88		355									
300	12	337	242	78	302	38	103.52	400	12-M20	125	102	4-12	31.6	477	34.6	8	20	50

							106.12	410	12-M24										
350	14	368	267	78	333	45	89.74	460	16-M20	150	125	4-14	31.6	515	34.6	8	20	71	
							91.69	470	16-M24										
400	16	400	325	102	390	51	100.48	515	16-M24	175	140	4-18	33.15	579	36.15	10	22	98	
						60	102.42	525	16-M27										
450	18	432	345	114	441	51	88.38	565	20-M24	175	140	4-18	37.95	627	40.95	10	22	125	
						60	91.51	585	20-M27										
500	20	480	378	127	492	57	96.99	620	20-M24	175	140	4-18	41.15	696	44.15	10	22	171	
						75	101.68	650	20-M30										
600	24	562	475	154	593	70	113.42	725	20-M27	210	165	4-22	50.62	821	54.65	16	22	251	
						75	120.45	770	20-M33										

NOTES:

As we are constant endeavoring to improve the performance of our equipment.

The company reserves the right to make alteration from time to time and equipment differ from that detailed in this brochure.