



# WAFER BUTTERFLY CHECK VALVE

## Characteristic of Product

- Small in size, light in weight, compact in structure, easy in maintenance.
- Two torsion springs are added to each of the pair valve plates, which close the plates quickly and automatically.
- The quick-close action prevents the medium from flowing back.
- Short face to face and good rigidity.
- Easy installation, it can be installed on both horizontal and vertical direction pipelines.
- This valve is tightly sealed, without leakage under the water pressure test.
- Safe and reliable in operation, high interference-resistance.

## Technical Specifications

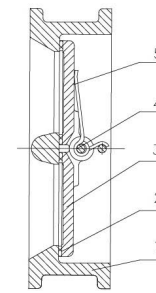
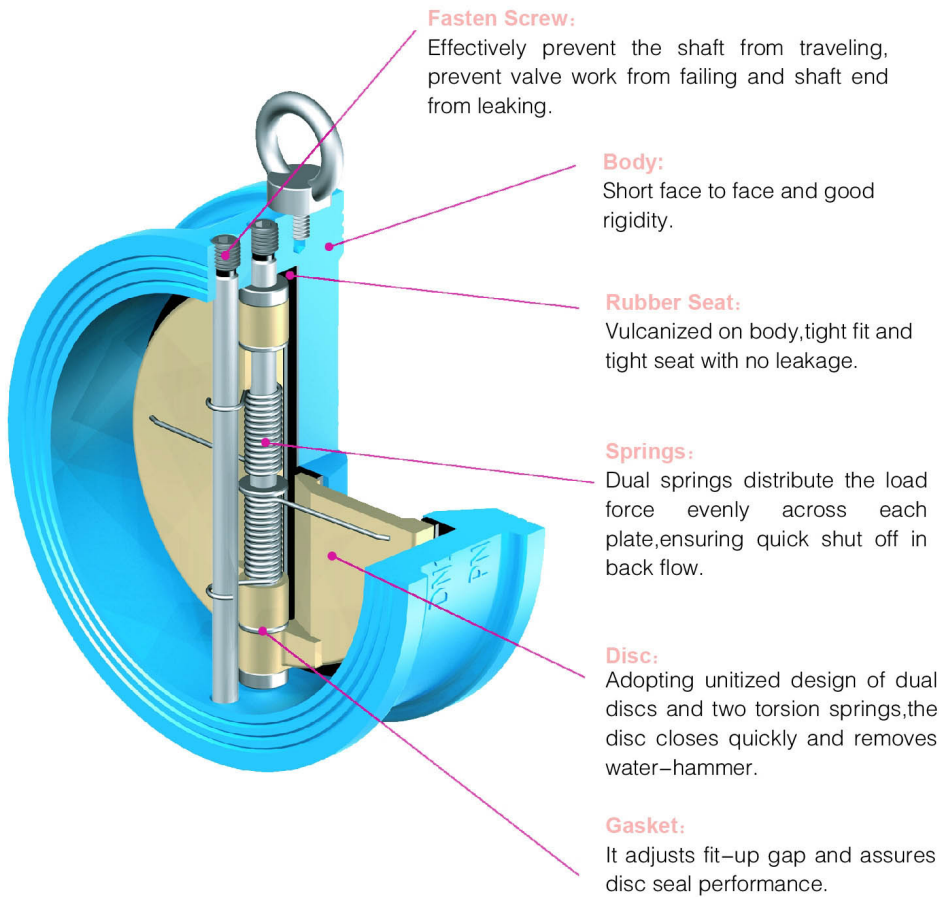
Series		EH	AH		BH		MH		
DN Nominal Diameter		"40~700(1.5"~28")"	"50~750(2"~30")"	"50~300(2"~12")"	"50~500(2"~20")"	"50~300(2"~12")"	"50~600(2"~24")"		50~400 (2"~16")
PN Nominal Pressure		1.0MPa	150PSI	200PSI	150PSI	200PSI	1.0MPa	1.6MPa	2.5MPa
Testing Pressure	Shell	1.5MPa	225PSI	300PSI	225PSI	300PSI	1.5MPa	2.4MPa	3.75MPa
	Sealing	1.1MPa	165PSI	220PSI	165PSI	220PSI	1.1MPa	1.76MPa	2.75MPa
Working Temperature		-15~+150							
Suitable Media		Fresh water, Sewage, Sea water, Air, Vapour, Food, Medicine, Oils, Acids, Alkalis, Salts, etc.							

### Flange Connection:

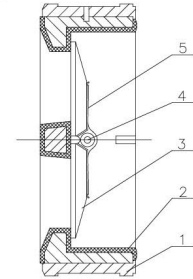
- Series EH、MH conform to EN1092;
- Series AH、BH conform to ANSI B16.1;

### Face to Face:

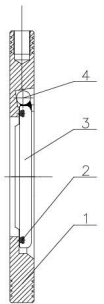
- Series EH conform to EN558-1; Series AH conform to ANSI B16.10



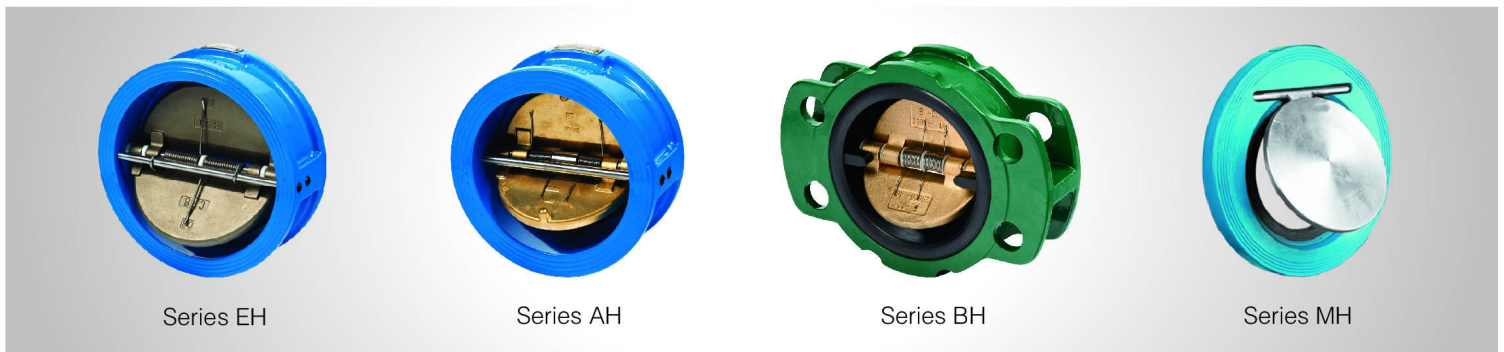
Series EH & AH



Series BH



Series MH



Series EH

Series AH

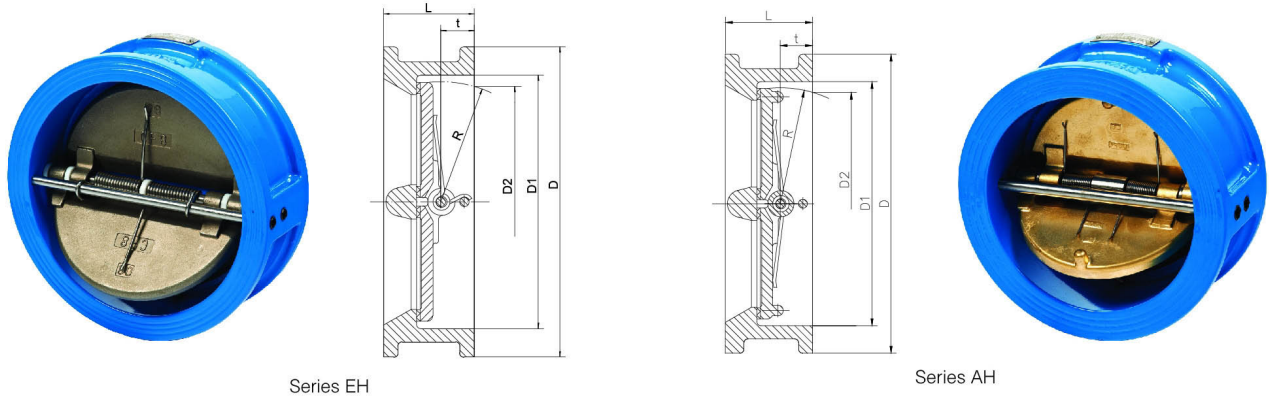
Series BH

Series MH

## Materials of Main Parts

No.	Part	Material			
		AH	EH	BH	MH
1	Body	CI DI WCB CF8 CF8M C95400	CI DI WCB CF8 CF8M C95400	WCB CF8 CF8M C95400	
2	Seat	NBR EPDM VITON etc.		NBR EPDM VITON etc.	
3	Disc	DI C95400 CF8 CF8M	DI C95400 CF8 CF8M	WCB CF8 CF8M C95400	
4	Stem	416/304/316		WCB CF8 CF8M C95400	
5	Spring	316		-----	

## Overall Dimensions & Weights



Series EH

Series AH

### Series EH

Size		D	D1	D2	L	R	t	Weight(kg)
(mm)	(inch)							
40	1.5"	92	65	43.3	43	28.8	19	1.5
50	2"	107	65	43.3	43	28.8	19	1.5
65	2 1/2"	127	80	60.2	46	36.1	20	2.4
80	3"	142	94	66.4	64	43.4	28	3.6
100	4"	162	117	90.8	64	52.8	27	5.7
125	5"	192	145	116.9	70	65.7	30	7.3
150	6"	218	170	144.6	76	78.6	31	9.0
200	8"	273	224	198.2	89	104.4	33	17
250	10"	328	265	233.7	114	127	50	26
300	12"	378	310	283.9	114	148.3	43	42
350	14"	438	360	332.9	127	172.4	45	55
400	16"	489	410	381.0	140	197.4	52	75
450	18"	539	450	419.9	152	217.8	58	101
500	20"	594	505	467.8	152	241	58	111
600	24"	690	624	572.6	178	295.4	73	172
700	28"	800	720	680	229	354	98	219

### Series AH

Size		D	D1	R	L	t	D2	Weight(kg)
(mm)	(inch)							
DN50	2"	105(4.134)	65(2.559)	29.73(1.17)	54(2.12)	25(0.984)	32.18(1.26)	2.8
DN65	2.5"	124(4.882)	78(3.071)	36.14(1.423)	60(2.38)	29.3(1.154)	42.31(1.666)	3
DN80	3"	137(5.39)	94(3.701)	43.42(1.709)	67(2.62)	27.7(1.091)	66.87(2.633)	3.8
DN100	4"	175(6.89)	117(4.606)	55.66(2.191)	67(2.62)	26.7(1.051)	97.68(3.846)	5.5
DN125	5"	187(7.362)	145(5.709)	67.68(2.665)	83(3.25)	38.6(1.52)	111.19(4.378)	7.4
DN150	6"	222(8.74)	171(6.732)	78.64(3.096)	95(3.75)	46.3(1.823)	127.13(5.005)	10.9
DN200	8"	279(10.984)	222(8.740)	102.5(4.035)	127(5)	66(2.598)	161.8(6.370)	22.5
DN250	10"	340(13.386)	276(10.866)	126(4.961)	140(5.5)	70.7(2.783)	213.6(8.490)	36
DN300	12"	410(16.142)	327(12.874)	154(6.063)	181(7.12)	102(4.016)	237.9(9.366)	54
DN350	14"	451(17.756)	375(14.764)	179.9(7.083)	184(7.25)	89.2(3.512)	312.5(12.303)	80
DN400	16"	514(20.236)	416(16.378)	198.4(7.811)	191(7.5)	92.5(3.642)	351.0(13.819)	116
DN450	18"	549(21.614)	467(18.386)	226.2(8.906)	203(8)	96.2(3.787)	409.4(16.118)	138
DN500	20"	606(23.858)	514(20.236)	248.2(9.72)	213(8.374)	102.7(4.043)	451.9(17.791)	175
DN600	24"	718(28.268)	616(24.252)	297.4(11.709)	222(8.75)	107.3(4.224)	554.7(21.839)	239
DN750	30"	884(34.8)	772(30.39)	374(14.724)	305(12)	150(5.905)	685.2(26.976)	659