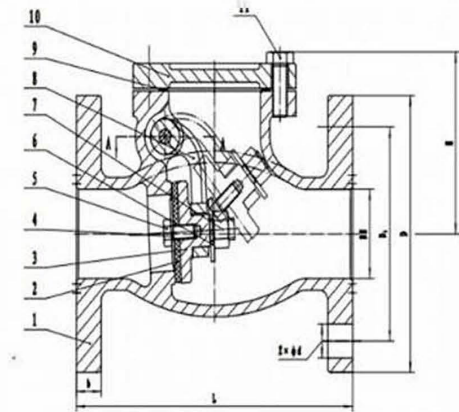


Cast Iron Swing Check Valve 10K



Main parts and materials

Parts Name	Material
Valve body, Bonnet	Cast Iron
Disc	SS304
Disc washer	Q235
Disc Sealing Gasket	NBR
Pin	SS304

Function and specification

Size	50-500A
Pressure	10K
Working temperature	(-10 ~ 85)
Test Pressure Mpa	Body : 2.1Mpa
	Sealing : 1.6
Medium	Water

Outline and connecting measurement

Size	L	D	D1	b	Z-Φ d	H
40	190	140	105	17	4×Φ 19	101
50	190	155	120	17	4×Φ 19	102
65	190	175	140	18	4×Φ 19	113
80	215	185	150	19	8×Φ 19	118
100	245	210	175	20	8×Φ 19	133.5
125	285	250	210	21	8×Φ 23	156
150	295	280	240	22	8×Φ 23	181.5
200	390	330	290	23	12×Φ 23	206
250	500	400	355	25	12×Φ 25	268.5
300	540	445	400	28	16×Φ 25	332.5