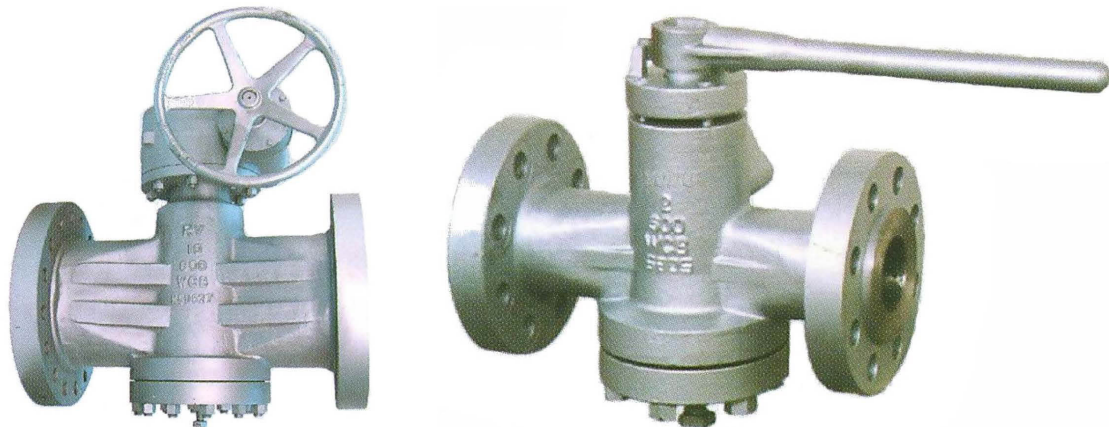


## INVERTED PRESSURE BALANCE LUBRICATED PLUG VALVE



### FEATURES

Reasonable structure, reliable sealing, excellent performance and beautiful appearance

Structure of flip-chip balance-able pressure and light on/off operation

Oil groove is set between valve body and seal surface, infuse the seal grease to increase the seal capability

Materials of the parts and sizes of flanges can be configured reasonably according the actual operation condition the customer required, so as to meet the various needs of engineering

Design & manufacturing: AP1599

Face to face: ASME B16.10

Flanged ends: GB/T 9113.1-2000

Inspection & testing: API598

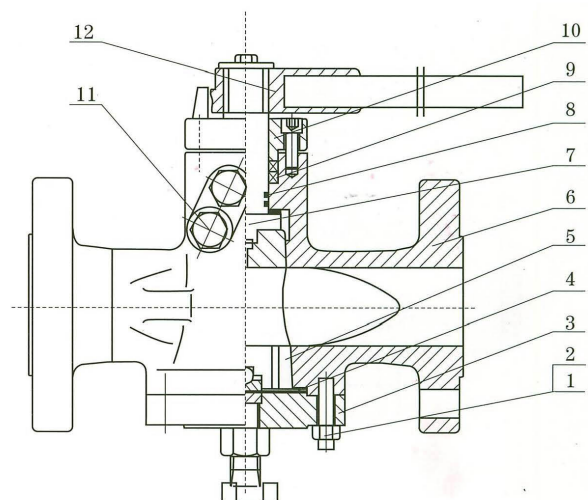
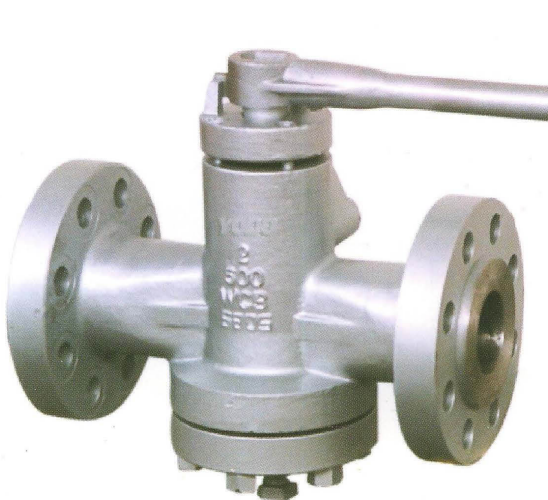
Nominal pressure: 1.6MPa

Nominal diameter: 25~350mm

Body materials: WCB, CF8, CF8M, CF3, CF3M

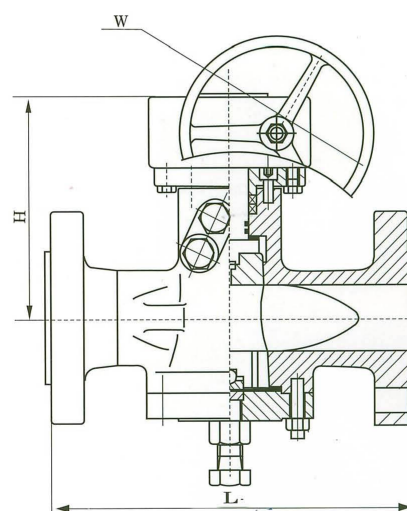
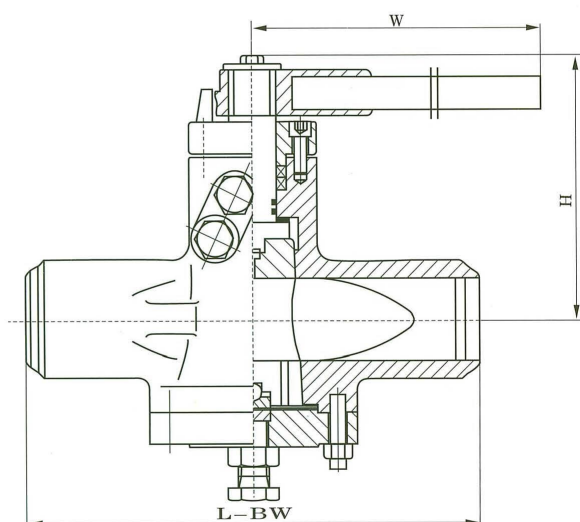
Applicable mediums: water, oil, gas, steam, corrosive mediums

Applicable temperature: -29 ~ +300°C



## PARTS AND MATERIALS

NO	Part	Material
1	Bolt	ASTM A 193-B7, A193-8, A193-B8M
2	Nut	ASTM A 194-2H, A194-8, A194-8M
3	Cover	ASTM A216-WCB, ASTM A351-CF8, CF8M, CF3, CF3M
4	Gasket	Flexible Graphite + Stainless Steel
5	Plug	ASTM A182-Gr. F6a, ASTM A182-F22, ASTM A351-CF8, CR5M, CF3, CF3M
6	Body	ASTM A216-WCB, ASTM A351-CF8, CF8M, CF3, CF3M
7	Stem	ASTM A182-Gr. F6a, A182-F22, ASTM A182-F304, F316, F321, F304L, F316L
8	O ring	VITON
9	Packing	Flexible Graphite + 304
10	Gland	ASTM A216-WCB, ASTM A351-CF8, CF8M, CF3, CF3M
11	Oil nozzle	UCA
12	Wrench	ASTM A47-32510, A216 WCB



## MAIN CONNECTION DIMENSIONS

Model	X47W-16C															
PN	16															
Size	mm	15	20	25	32	40	50	65	80	100	125	150	200	250	300	350
	in	1/2	3/4	1	1 <sup>1</sup> / <sub>4</sub>	1 <sup>1</sup> / <sub>2</sub>	2	2 <sup>1</sup> / <sub>2</sub>	3	4	5	6	8	10	12	14
L-RF	108	117	127	140	165	178	190	203	229	245	267	292	330	356	381	
L-BW	152	178	203	216	229	267	305	330	356	381	394	457	533	610	686	
H	180	180	185	200	210	215	250	270	300	340	365	400	450	510	590	