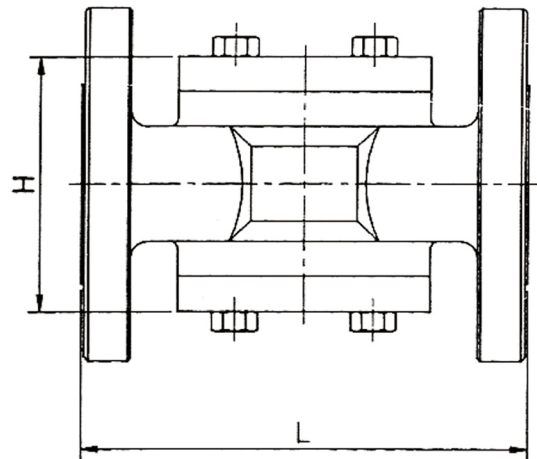
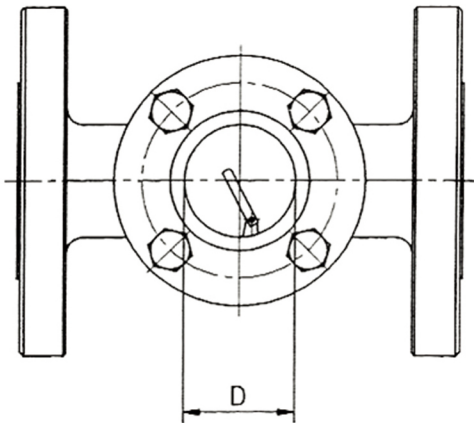


SIGHT GLASS FLANGED ENDS



PART NAME	MATERIAL
BODY	CAST IRON & WCB S.S.304 S.S.316
MAIN PART	S.S.304 S.S. 316

USAGE SCOPE :
STEAM,GENERAL,LIQUID

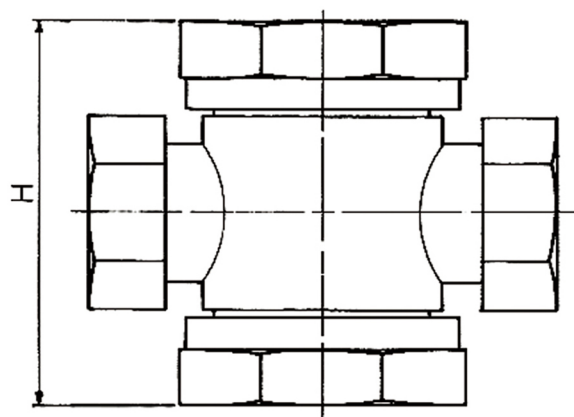
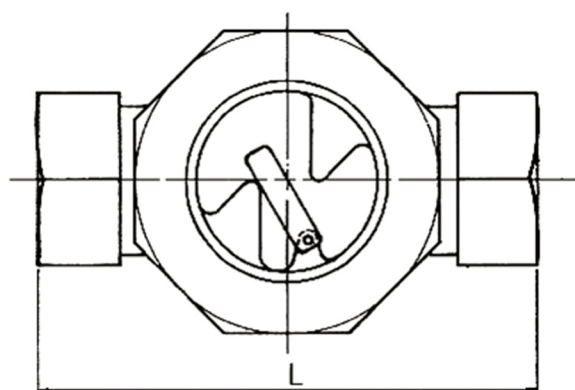
W.P	0.35-7 kg/cm ²
W.T	220°C

DIMENSIONS

SIZE	IN	1/2	3/4	1	1¼	1½	2	2 ½	3	4	5	6	8
L		130	130	170	200	200	220	270	270	320	380	420	500
H		100	100	100	125	125	125	167	180	210	270	280	345
D		40	40	40	50	50	50	85	85	110	130	160	160



SIGHT GLASS SCREWED ENDS



PART NAME	MATERIAL
BODY	CAST IRON
MAIN PART	304

USAGE SCOPE :
STEAM, GENERAL, LIQUID

W.P	0.35-7 kg/cm ²
W.T	220°C

DIMENSIONS

NOMI- NAL	SIZE	1/2B	3/4	1	1¼	1½	2
		15A	20	25	32	40	50
L		120	120	138	145	145	145
H		100	100	105	135	135	145