

ANSI FLANGED Y TYPE STRAINER



FEATURES

Class: 150LB / 300LB

Size: 1/2" ~ 24" (15~600mm)

Materials: A216 WCB, A351 CF8 (S.S.304), A351 CF8M (S.S.316)

Face to face: ANSI B16.10

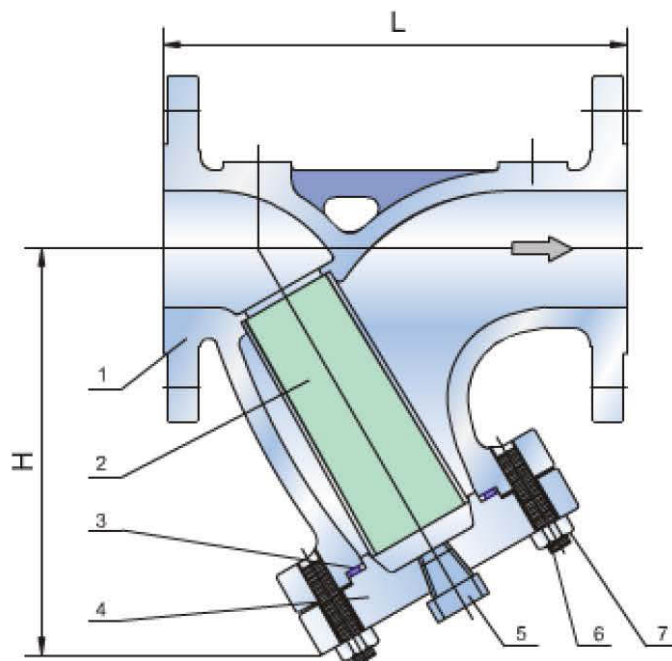
Flanged ends: ANSI B16.5 RF

Inspection & testing: API598

Design: ASME B16.34

Applicable medium: water, oil, gas

Applicable temperature: $\leq 300^{\circ}\text{C}$



PARTS AND MATERIALS

| ITEM | PART NAME | MATERIAL |
|------|-----------------|---|
| 1 | Body | ASTM A216 GR.WCB, A351 CF8 (S.S.304), A351 CF8M (S.S.316) |
| 2 | Screen | ASTM A276 Type 304 |
| 3 | Gasket | 304+Graphite, 316+Graphite |
| 4 | Cover | ASTM A216 GR.WCB, A351 CF8 (S.S.304), A351 CF8M (S.S.316) |
| 5 | Plug | ASTM A105, S.S.304, S.S.316 |
| 6 | Cover Bolts | ASTM A193 GR.B7, A193-B8, B8M |
| 7 | Cover Bolt Nuts | ASTM A194 GR.2H, 8, 8M |

MAIN CONNECTION DIMENSIONS

150LB

| Size | | L | H | D | D1 | D2 | N-d |
|--------|-----|------|-----|-----|-------|-------|---------|
| in | mm | mm | mm | mm | mm | mm | mm |
| 1/2" | 15 | 142 | 80 | 89 | 60.5 | 35 | 4-15 |
| 3/4" | 20 | 142 | 87 | 98 | 70 | 43 | 4-15 |
| 1" | 32 | 160 | 92 | 108 | 79.5 | 51 | 4-15 |
| 1-1/4" | 40 | 180 | 105 | 117 | 89 | 64 | 4-15 |
| 1-1/2" | 50 | 200 | 117 | 127 | 98.5 | 73 | 4-15 |
| 2" | 50 | 203 | 145 | 152 | 120.5 | 92 | 4-19 |
| 2.5" | 65 | 216 | 183 | 178 | 139.5 | 105 | 4-19 |
| 3" | 80 | 241 | 206 | 190 | 152.5 | 127 | 4-19 |
| 4" | 100 | 292 | 228 | 229 | 190.5 | 157 | 8-19 |
| 6" | 150 | 406 | 329 | 279 | 241.5 | 216 | 8-22 |
| 8" | 200 | 495 | 440 | 343 | 298.5 | 270 | 8-22 |
| 10" | 250 | 622 | 507 | 406 | 362 | 324 | 12-25 |
| 12" | 300 | 699 | 594 | 483 | 432 | 381 | 12-25 |
| 14 | 350 | 787 | 614 | 535 | 476 | 413 | 12-29.5 |
| 16 | 400 | 914 | 635 | 600 | 540 | 470 | 16-29.5 |
| 18 | 450 | 978 | 693 | 635 | 578 | 533.5 | 16-32.5 |
| 20 | 500 | 978 | 765 | 700 | 635 | 584 | 20-32.5 |
| 24 | 600 | 1295 | 894 | 815 | 749.5 | 692 | 20-32.5 |

MAIN CONNECTION DIMENSIONS
300LB

| Size | | L | H | D | D1 | D2 | N-d |
|--------|-----|-----|-----|-----|-------|-----|---------|
| in | mm | mm | mm | mm | mm | mm | mm |
| 1/2" | 15 | 165 | 80 | 95 | 66.5 | 35 | 4-15 |
| 3/4" | 20 | 165 | 87 | 117 | 82.5 | 43 | 4-19 |
| 1" | 32 | 190 | 92 | 124 | 89 | 51 | 4-19 |
| 1-1/4" | 40 | 190 | 105 | 133 | 98.5 | 64 | 4-19 |
| 1-1/2" | 50 | 229 | 117 | 156 | 114.5 | 73 | 4-19 |
| 2" | 50 | 267 | 145 | 165 | 127 | 92 | 4-19 |
| 2.5" | 65 | 292 | 183 | 190 | 149 | 105 | 8-19 |
| 3" | 80 | 318 | 206 | 210 | 168.5 | 127 | 8-22 |
| 4" | 100 | 356 | 228 | 254 | 200 | 157 | 8-22 |
| 6" | 150 | 445 | 329 | 318 | 270 | 216 | 12-22 |
| 8" | 200 | 559 | 440 | 381 | 330 | 270 | 12-25 |
| 10" | 250 | 622 | 507 | 444 | 387.5 | 324 | 16-29.5 |
| 12" | 300 | 711 | 594 | 521 | 451 | 381 | 16-32 |

NOTES:

As we are constant endeavoring to improve the performance of our equipment.

The company reserves the right to make alteration from time to time and equipment differ from that detailed in this brochure.