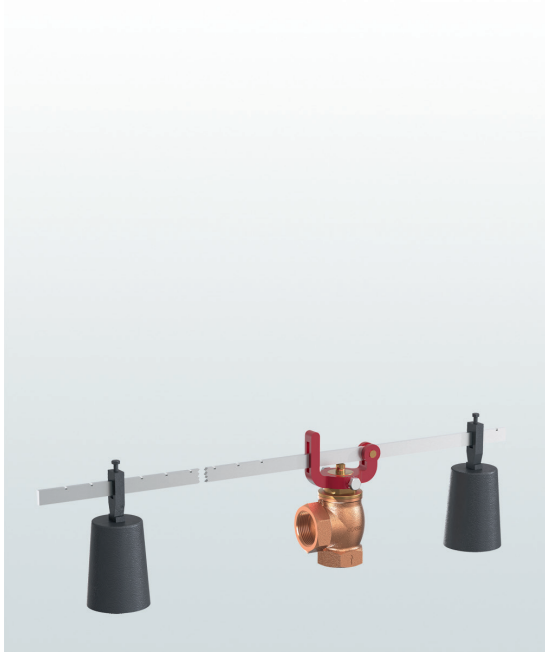


Pressure relief valves made of gunmetal, with double lever and weights, angle-type with threaded connections

→ Series 612



■ MATERIAL



■ SPECIFICATION



1/2" – 2"



– 60°C to + 225°C
depending on version



0,1 – 4 bar

■ SUITABLE FOR

| | | |
|------------------------|---------|--|
| Liquids | neutral | |
| Air, gases and vapours | neutral | |
| Steam | | |

■ EXAMPLES OF USE

For the protection of:

- pressure tanks/-systems for neutral vapours, gases and liquids
 - steam boilers and steam plants
- if proportional opening characteristics and only small blow-off volumes are required (i.e. protection in the case of expansion due to heating-up). Please observe plant-specific regulations and use of appropriate valve version and sealing material.

- low pressure steam systems
- low pressure industrial- and commercial boiler plants

■ APPROVALS

European Pressure Equipment Directive

TR ZU 032/2013 - TR ZU 010/2011

Requirements

PED 2014/68/EU

■ MATERIALS

| Component | Material | DIN EN | ASME |
|----------------|------------------|-----------------|-----------------|
| Inlet body | Gunmetal | CC499K | CC499K |
| Outlet body | Gunmetal | CC499K | CC499K |
| Internal parts | Brass / Gunmetal | CW617N / CC499K | CW617N / CC499K |
| Lever | Stainless steel | 1.4301 | 304 |



| | | |
|----------|--------------------------------|---|
| s | Standard, non-gastight version | for neutral media without counter pressure. With double lever and 2 weights for exact adjustment and functioning within a small pressure range. |
|----------|--------------------------------|---|

■ MEDIUM

| | | |
|-----------|--------------------|---|
| GF | gaseous and liquid | Air, vapours, gases, liquids and - depending on seal - also for steam |
|-----------|--------------------|---|

■ TYPE OF LIFTING MECHANISM

| | |
|----------|--|
| L | Lifting by lever. Disc can be lifted and turned. |
|----------|--|

■ AVAILABLE NOMINAL DIAMETERS AND CONNECTION SIZES

| Nominal diameter DN | 15 | 20 | 25 | 32 | 40 | 50 |
|---------------------|-------------|-----------|---------|-------------|-------------|---------|
| Inlet | 1/2" (15) | 3/4" (20) | 1" (25) | 1 1/4" (32) | 1 1/2" (40) | 2" (50) |
| Outlet | 1/2" (15) | ■ | | | | |
| | 3/4" (20) | | ■ | | | |
| | 1" (25) | | | ■ | | |
| | 1 1/4" (32) | | | | ■ | |
| | 1 1/2" (40) | | | | | ■ |
| 2" (50) | | | | | | ■ |

■ TYPE OF CONNECTION INLET / OUTLET THREADED CONNECTIONS

| | | | |
|--------------|----------|---|-------------------------------------|
| f / f | Standard | Female thread BSP-P / Female thread BSP-P | DIN EN ISO 228-1 / DIN EN ISO 228-1 |
|--------------|----------|---|-------------------------------------|

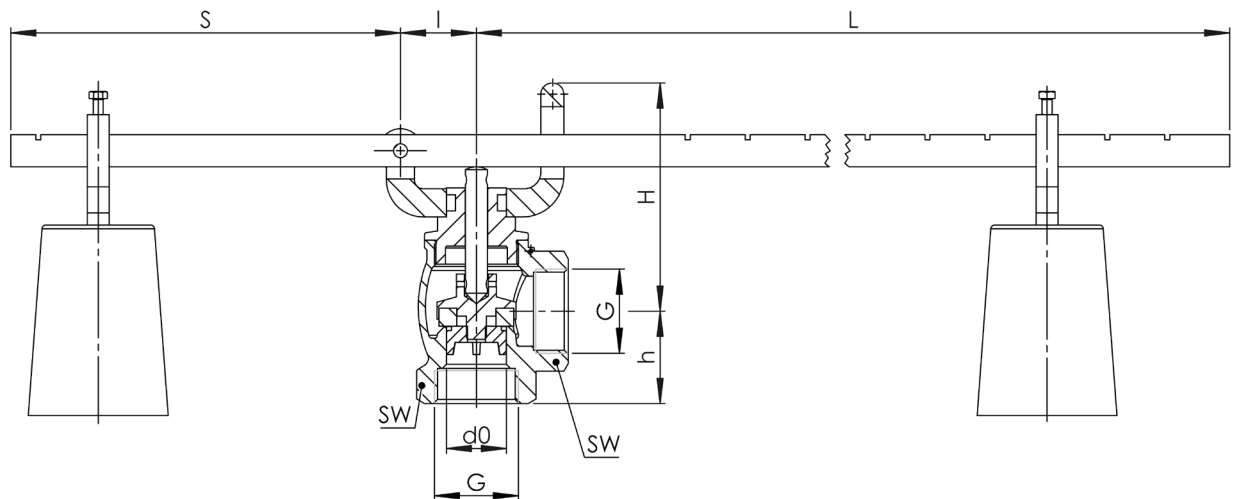
■ SEALS

| | | | |
|-------------|-------------------------|----------------------|-----------------|
| NBR | Nitrile rubber | Elastomere flat seal | -30°C to +130°C |
| PTFE | Polytetrafluoroethylene | Flat seal | -60°C to +225°C |

NOMINAL DIAMETERS, CONNECTIONS, INSTALLATION DIMENSIONS

| Series 612: Connection, installation dimensions, ranges of adjustment | | | | | | | |
|---|-----|-----------|-----------|---------|-------------|-------------|---------|
| Nominal diameter | DN | 15 | 20 | 25 | 32 | 40 | 50 |
| Connection DIN EN ISO 228 | G | 1/2" (15) | 3/4" (20) | 1" (25) | 1 1/4" (32) | 1 1/2" (40) | 2" (50) |
| Outlet DIN EN ISO 228 | G | 1/2" (15) | 3/4" (20) | 1" (25) | 1 1/4" (32) | 1 1/2" (40) | 2" (50) |
| Installation dimensions in mm | L | 330 | 325 | 430 | 625 | 640 | 765 |
| | I | 20 | 23 | 30 | 38 | 38 | 50 |
| | H | 74 | 85 | 100 | 115 | 120 | 150 |
| | h | 30 | 35 | 41 | 45 | 51 | 60 |
| | S | 120 | 130 | 165 | 195 | 180 | 245 |
| | SW | 28 | 34 | 41 | 52 | 58 | 70 |
| | do | 13 | 19 | 25 | 30 | 38 | 50 |
| Weight of the valve | kg | 0,6 | 0,73 | 1,3 | 2,1 | 2,6 | 4,2 |
| Counterweight | kg | 2x0,67 | 2x1,36 | 2x2,2 | 2x2,2 | 2x3,55 | 2x6,5 |
| Range of adjustment | bar | 0,1 - 4 | 0,1 - 4 | 0,1 - 4 | 0,1 - 4 | 0,1 - 4 | 0,1 - 4 |

MAIN DIMENSIONS, INSTALLATION DIMENSIONS



INDIVIDUAL SELECTION / VALVE CONFIGURATION

| Series | Valve version | Medium | Lifting device | Nominal diameter DN | Connection type | | Connection size | | Seal | Options | Pressure range / set pressure | Quantity |
|--------|---------------|--------|----------------|---------------------|-----------------|--------|-----------------|--------|------|---------|-------------------------------|----------|
| | | | | | Inlet | Outlet | Inlet | Outlet | | | | |
| 612 | s | GF | L | 25 | f | f | 25 | 25 | NBR | | 0,1 - 4,0 | 3 |
| 612 | s | GF | L | | f | f | | | | | | |
| 612 | s | GF | L | | f | f | | | | | | |
| 612 | s | GF | L | | f | f | | | | | | |

ENQUIRY

Copy and send to: order@goetze-armaturen.de.

Order form easily to be found online under the section for each series.

FLOW FUSION CO.,LTD.

Address : 109/13 Moo. 4, Thap ma, Mueang, Rayong 21000

Tel : +66 (0) 3868 4949 ,E-Mail : info@flow-fusion.com www.flow-fusion.com



■ CAPACITY TABLE

| Series 612: Blowing-off rates at approx. 10% above set pressure | | | | | | | | | | | | | | | | | | | |
|---|-----|----|----|-----|----|----|-----|-----|-----|-----|-----|-----|-----|-----|-----|------|-----|-----|------|
| Nominal diameter DN | | 15 | | | 20 | | | 25 | | | 32 | | | 40 | | | 50 | | |
| Set pressure bar | | I | II | III | I | II | III | I | II | III | I | II | III | I | II | III | I | II | III |
| Air I | 0,1 | 4 | 4 | 0,1 | 10 | 15 | 0,2 | 18 | 14 | 0,4 | 24 | 20 | 0,5 | 40 | 32 | 0,8 | 72 | 57 | 1,5 |
| | 0,5 | 6 | 5 | 0,2 | 13 | 21 | 0,5 | 24 | 19 | 0,8 | 33 | 27 | 1,1 | 54 | 44 | 1,9 | 98 | 77 | 3,3 |
| | 1 | 8 | 6 | 0,3 | 18 | 28 | 0,6 | 32 | 26 | 1,2 | 44 | 36 | 1,6 | 72 | 58 | 2,6 | 130 | 102 | 4,7 |
| Steam II | 1,5 | 10 | 8 | 0,4 | 22 | 34 | 0,8 | 40 | 32 | 1,4 | 55 | 45 | 2,0 | 90 | 72 | 3,2 | 163 | 127 | 5,8 |
| | 2 | 24 | 19 | 0,8 | 52 | 41 | 1,8 | 96 | 75 | 3,3 | 132 | 100 | 4,6 | 217 | 170 | 7,4 | 390 | 300 | 13,3 |
| | 2,5 | 28 | 22 | 0,9 | 61 | 48 | 2,0 | 112 | 87 | 3,7 | 154 | 116 | 5,1 | 253 | 197 | 8,3 | 455 | 348 | 14,9 |
| Water III | 3 | 32 | 25 | 1,0 | 70 | 54 | 2,2 | 128 | 99 | 4,0 | 176 | 132 | 5,6 | 289 | 225 | 9,1 | 520 | 397 | 16,3 |
| | 3,5 | 36 | 28 | 1,1 | 79 | 61 | 2,4 | 144 | 111 | 4,4 | 198 | 148 | 6,0 | 325 | 252 | 9,8 | 585 | 444 | 17,6 |
| | 4 | 40 | 31 | 1,2 | 87 | 67 | 2,6 | 160 | 123 | 4,7 | 220 | 164 | 6,4 | 362 | 279 | 10,5 | 650 | 492 | 18,8 |