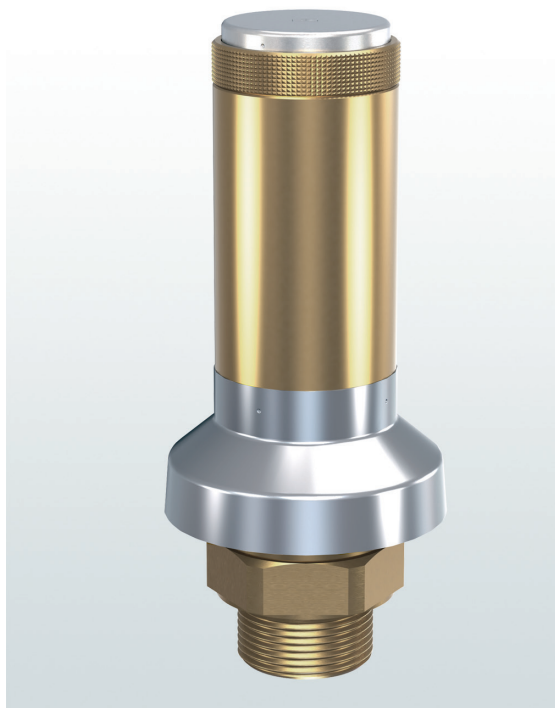


→ **Series 813**



■ SUITABLE FOR

Air, gases and vapours neutral



■ EXAMPLES OF USE

For the protection of:

- stationary pressure tanks and
 - bulk transport vehicles
- for liquid, granular and dusty media.

Please observe plant-specific regulations and use of appropriate valve version and sealing material.

- stationary silos
- bulk transport vehicle manufacturers and service companies
- paint spray shops
- compressed air applications in dirty environmental conditions

Safety valves are set and sealed at the factory.

■ APPROVALS

TÜV Type test approval 2003	D/G, F/K/S
EU type examination	S/G, F/K/S
Requirements	
AD 2000 Data sheet A2 TRB 801 Nr. 22 and Nr. 23 DIN EN ISO 4126-1	PED 2014/68/EU

■ Classification society

DNV	DNV
Lloyd's Register EMEA	LR EMEA
American Bureau of Shipping	ABS
Bureau Veritas	BV
Russian Maritime Register of Shipping	RS



■ MATERIAL



■ SPECIFICATION



1/2" – 2"



– 60°C to + 225°C
depending on version



0,2 – 6 bar

■ MATERIALS

Component	Material	DIN EN	ASME
Inlet body	Brass	CW617N	CW617N
Outlet body	Brass	CW617N	CW617N
Internal parts	Brass / Stainless steel	CW617N / 1.4404	CW617N / 316 L
Spring	Stainless steel	1.4310	302
Deflector	Stainless steel	1.4301	304
Sealing cap	Stainless steel	1.4301	304



FLOW FUSION CO.,LTD.

Address : 109/13 Moo. 4, Thap ma, Mueang, Rayong 21000

Tel : +66 (0) 3868 4949 ,E-Mail : info@flow-fusion.com www.flow-fusion.com

m	with diaphragm	cylindrical form, atmospheric discharge, for air and similar neutral gases. Spring and moving parts protected from being affected by the medium. Standard version with deflector made of stainless steel.
----------	----------------	---

■ MEDIUM

G	gaseous	Air and similar neutral gases
----------	---------	-------------------------------

■ TYPE OF LIFTING MECHANISM

K	Standard with twist-type lifting mechanism
----------	--

■ AVAILABLE NOMINAL DIAMETERS AND CONNECTION SIZES

Nominal diameter DN	15	20	25	32	40	50
Inlet	1/2" (15)	3/4" (20)	1" (25)	1 1/4" (32)	1 1/2" (40)	2" (50)
Atmospheric discharge via outlet apertures	■	■	■	■	■	■

■ TYPE OF CONNECTION INLET / OUTLET THREADED CONNECTIONS

m / -	Standard	Male thread BSP-P / -	DIN EN ISO 228-1 / -
BSP-Tm / -		Male thread BSP-T / -	DIN EN 10226, ISO 7-1 / -
NPT-m / -		Male thread NPT / -	ANSI B1.20.1 / -

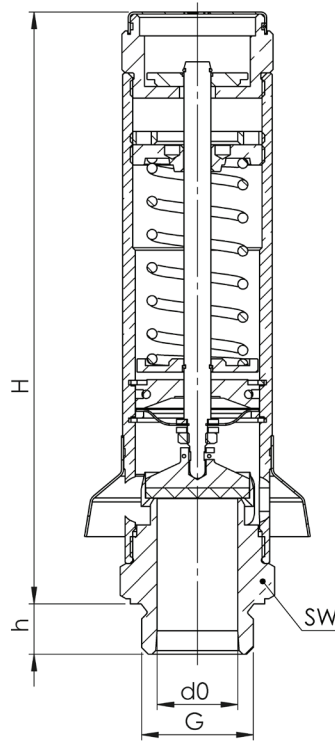
■ SEALS

FKM	Fluorocarbon	Elastomere flat seal	-20°C to +200°C
PTFE	Polytetrafluoroethylene	Flat seal from 1 bar	-60°C to +225°C

■ NOMINAL DIAMETERS, CONNECTIONS, INSTALLATION DIMENSIONS

Series 813: Connection, installation dimensions, ranges of adjustment							
Nominal diameter	DN	15	20	25	32	40	50
Connection DIN EN ISO 228	G	1/2" (15)	3/4" (20)	1" (25)	1 1/4" (32)	1 1/2" (40)	2" (50)
Installation dimensions in mm	H	144	177	177	177	177	282
	h	12	15	15	22,5	22,5	26
	SW	32	41	41	55	55	80
	d0	14	20	24	31	31	48
Weight	kg	0,6	1,3	1,3	2,6	2,6	5,4
Range of adjustment	bar	0,2-6	0,2-6	0,2-6	0,2-6	0,2-6	0,2-6

■ MAIN DIMENSIONS, INSTALLATION DIMENSIONS



Series 813 ■ INDIVIDUAL SELECTION / VALVE CONFIGURATION

Series	Valve version	Medium	Lifting device	Nominal diameter DN	Connection type		Connection size		Seal	Options	Set pressure	Quantity
					Inlet	Outlet	Inlet	Outlet				
813	m	G	K	40	m	–	40	–	FKM		2,0	3
813	m	G	K			–		–				
813	m	G	K			–		–				
813	m	G	K			–		–				

■ PROPERTIES

GOX	Especially for gaseous O2 applications by employment of specific materials including oil- and grease free production process	<input type="checkbox"/>	P03	Galvanically nickel-plated finish	<input type="checkbox"/>
P01	Oil- and grease-free production	<input type="checkbox"/>	P04	Chrome-plated finish	<input type="checkbox"/>
P02	Chemically nickel-plated finish	<input type="checkbox"/>			<input type="checkbox"/>

■ CERTIFICATES / APPROVALS

C01	Factory certificate acc. DIN EN 10204 2.2 (WKZ 2.2)	<input type="checkbox"/>	C06	ATEX evaluation acc. to 2014/34/EU	<input type="checkbox"/>
C02	Test certificate acc. DIN EN 10204 3.1 (WPZ 3.1)	<input type="checkbox"/>	C07	SIL evaluation relating to IEC 61508-2	<input type="checkbox"/>
C03	Material test certificate acc. DIN EN 10204 3.1 (MPZ 3.1) (pressure retaining part)	<input type="checkbox"/>	C09	Seat tightness test with helium, leak detection method under vacuum incl. Factory Inspection Certificate 3.1 acc. to DIN EN 10204	<input type="checkbox"/>
C04	TÜV/DEKRA individual inspection acc. EN 10204 3.2 (TÜV/DEKRA-APZ)	<input type="checkbox"/>	C10	Certificate of oil- and grease free production	<input type="checkbox"/>
C05	Manufacturer certification (FDA, USP 3, 3-A,...), Please indicate description of certificate:	<input type="checkbox"/>	C11	Certification of the production process especially for gaseous oxygen applications by employment of specific materials	<input type="checkbox"/>

■ ADMISSIONS / ACCREDITATIONS

AA1	EC Type examination acc. to Directive 2014/68/EU	<input type="checkbox"/>	AK1	Det Norske Veritas (DNV) type approval	<input type="checkbox"/>
AA2	TÜV component test acc. to VdTÜV specification sheet SV 100	<input type="checkbox"/>	AK2	Lloyd's Register (LR) type approval	<input type="checkbox"/>
AA4	EAC - certificate/declaration with passport for the valve and laser marking of the valve	<input type="checkbox"/>	AK3	American Bureau of Shipping (ABS) type approval	<input type="checkbox"/>
		<input type="checkbox"/>	AK4	Bureau Veritas (BV) type approval	<input type="checkbox"/>
		<input type="checkbox"/>	AK5	Russian Maritime Register of Shipping (RMRS) type approval	<input type="checkbox"/>
		<input type="checkbox"/>	AK6	Registro Italiano Navale (RINA) type approval	<input type="checkbox"/>
		<input type="checkbox"/>	AL	Individual inspection by notified body inspector – (body to be indicated):	<input type="checkbox"/>

■ ENQUIRY

Copy and send to: order@goetze-armaturen.de.

Order form easily to be found online under the section for each series.

Series 813: Blowing-off rates at 10% above set pressure							
Nominal diameter DN		15	20	25	32	40	50
Set pressure bar							
Air Nm ³ /h	0,2	61	167	240	401	401	768
	0,3	76	189	272	453	453	827
	0,4	88	205	296	493	493	887
	0,5	99	222	320	534	534	946
	0,6	110	243	351	585	585	1005
	0,7	121	262	377	629	629	1064
	0,8	129	280	404	673	673	1123
	0,9	138	299	431	719	719	1182
	1	147	319	459	766	766	1370
	1,2	168	357	514	858	858	1514
	1,4	186	396	571	952	952	1658
	1,6	208	437	629	1049	1049	1903
	1,8	225	478	688	1148	1148	2055
	2	245	520	749	1249	1249	2325
	2,5	291	617	889	1483	1483	2724
	3	338	717	1032	1723	1723	3177
	3,5	386	809	1165	1943	1943	3583
	4	436	923	1330	2219	2219	4056
	4,5	480	1018	1465	2445	2445	4469
	5	524	1112	1601	2671	2671	4962
5,5	569	1206	1736	2897	2897	5382	
6	613	1300	1872	3123	3123	5802	