



Designed for Severe Service





TABLE OF CONTENTS

1	Introduction	5
2	The Evolution of the Severe Service Knife Gate Valve	6
3	Designed for Severe Service	8
3.1	Key Industries.....	8
4	Standard Features	9
5	Severe Service Knife Gate Valve	10
5.1	Features and Benefits	11
5.2	Parts Diagram and List—Handwheel	12
5.3	Parts Diagram and List—Pneumatic Cylinder.....	14
5.4	Dimensions.....	16
6	DBB Double Block and Bleed	18
6.1	Features and Benefits	19
6.2	Parts Diagram and List	20
6.3	Dimensions.....	22
7	Design Specs and Material List	23
8	Ordering Information	24
9	Contact Information	28



Introducing DSS Valves

DSS Valves is a streamlined team of engineering and manufacturing professionals dedicated to creating premier Severe Service Knife Gate Valves (SSKGVs) for critical services in your industry.

We specialize in creating valves that thrive in the harshest environments and our products are known for their ability to handle differential pressure scenarios, corrosive materials, extreme temperatures and detrimental solids. We provide prompt delivery, honest customer service and a technologically advanced product made in North America, delivered throughout the world.

Too often have we seen corporate acquisitions of independent valve companies cause a decrease in product quality and eliminate the relationship between customer and manufacturer. We believe that by mastering the design, build and supply of the Severe Service Knife Gate Valve while listening to our customer's needs, we can provide a superior product perfectly crafted for the task at hand.

North American Made, Internationally Sold

Our valves are designed and manufactured entirely on North American soil. From engineering and milling, to welding, assembly and testing, each critical step takes place in the United States and Canada.

DSS Valves International is the international sales division of the DSS Valves brand. Founded by experienced valve professionals with extensive application expertise, our primary goal is to supply premier Knife Gate Valve solutions and other Severe Service applications to customers operating steel, mining, pulp & paper, water/wastewater and oil and gas plants around the world.



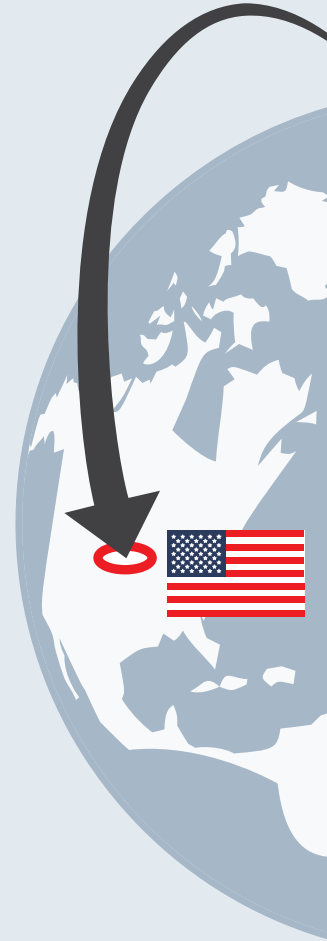
With a background in distribution, we enable DSS Valves to focus on the manufacturing process and utilize our established distribution network and go-to-market experience to sell valves based on your applications' needs.

THE EVOLUTION of the Severe Service Knife Gate Valve

The Knife Gate Valve began its journey in the Swedish Pulp and Paper industry. The market demanded an inexpensive valve for pulp stock applications, and a revolutionary valve design for the era was born. Known as the Knife Gate Valve, this new technology was capable of low pressure uni-directional general purpose isolation.

The simplistic and inexpensive design did have its problems. The hypothesis that the pulp stock in the water slurry would dewater around the closed gate and seat, thus forming a tighter seal resulted in extremely high allowable leakage rates and fugitive emissions (leakage both inside and outside the piping system). Unfortunately, the original design often acted more as a sieve than a valve.

The 1950's saw a new patent for the Knife Gate Valve in the U.S. From here, a variety of designs began to improve the functionality and capabilities of the valve.



First came the **Through Gate** design, which was able to accommodate higher consistencies of fiber in water, but had issues with through leakage and consistently released large amounts of fugitive emissions.



The **Lined Gate** was the first design to consider the effects of corrosive materials. The design featured a protective corrosion resistant body liner, but couldn't perform low pressure uni-directional general purpose isolation.

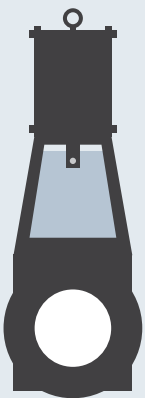
1950



Quest for Sustained
Zero Leakage



In 2017, DSS Valves officially entered the market, boasting the most technologically advanced Severe Service Knife Gate Valve. The design completely removes the chance for fugitive emissions, surpasses the rigorous standards for Severe Service defined by the MSS, and provides bi-directional zero leakage from full vacuum to ASME Class 1500/PN 250 (3750 psig/250 barg).



The **Push-Through** design emerged, enabling knife gates to handle high solid slurries. However, its more robust design still struggled due to releasing discharge on each and every stroke.



A true zero leakage bi-directional higher pressure design, known as the **Guided-Shear Gate**, featured the first true “knife” gate able to handle clean, clear or heavy slurry in highly alkaline or acidic solutions.



2017

Designed for Severe Service

As industrial processes continue to increase in complexity and risk, valve design and performance is crucial to maintaining consistent plant operation and maintaining your bottom line. Valves are critical to protecting your workers and the environment; they need to be reliable in the harshest of conditions.



READY FOR ANY APPLICATION

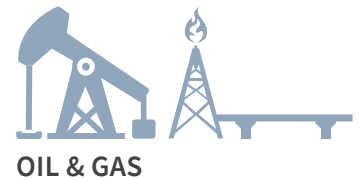
DSS Valves is known for creating dependable Severe Service Valves that outlast the competition in any scenario. Just because they're built to thrive in the most severe conditions, doesn't mean they shouldn't be considered for more general applications.

Investing in a premium product pays dividends through increased service life and reduced downtime, making the overall cost of ownership much less in the long run.

Key Industries



MINING



OIL & GAS



POWER



CHEMICAL



MUNICIPAL



PULP & PAPER



STEEL



WASTE WATER

Premium Components Come Standard

For starters, all valves meet or exceed MSS SP-135, and include the following key features:

- Wider gates, internal guides, and full bore matching standard pipe sizes
- Energized resilient perimeters with hybrid resilient/metallic seats
- Fully indexable Ni-hard wear rings
- Wider and thicker primary and secondary transverse seals that provide better sealing at higher pressures.
- Dual transverse seals and secondary body seals for 4" bore sizes and larger
- Thicker primary body seal (10mm for $\geq 8"$ bore sizes, 6mm for $\leq 6"$ bore sizes)
- Stainless steel screws for dust covers
- Four bolt yokes for valves with 6" bore size and larger
- Fully supported flanges eliminates the need for pipe nipples on DBB valves
- SAE 660 bronze ACME nuts for smoother operation
- Larger ACME screws for $\geq 26"$ bore sizes
- 17-4ph cylinder clevis pins that are stronger and corrosion resistant



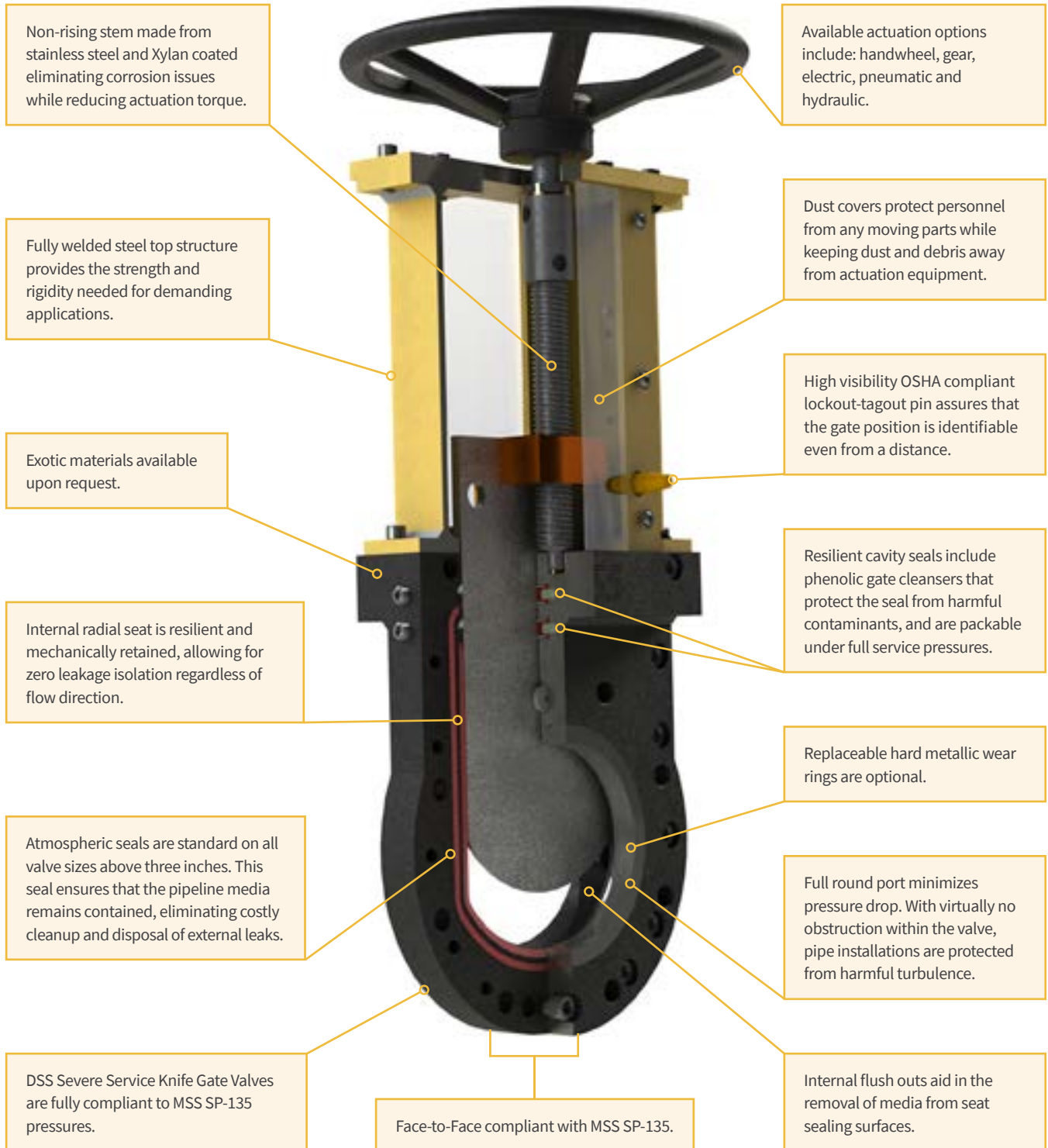
SSKGV

Severe Service Knife Gate Valve



Severe Service Knife Gate Valve

Features and Benefits



Severe Service Knife Gate Valve

Parts Diagram and List

SSKGV ASME Class 150, 300, 600, 900 and 1500—Handwheel

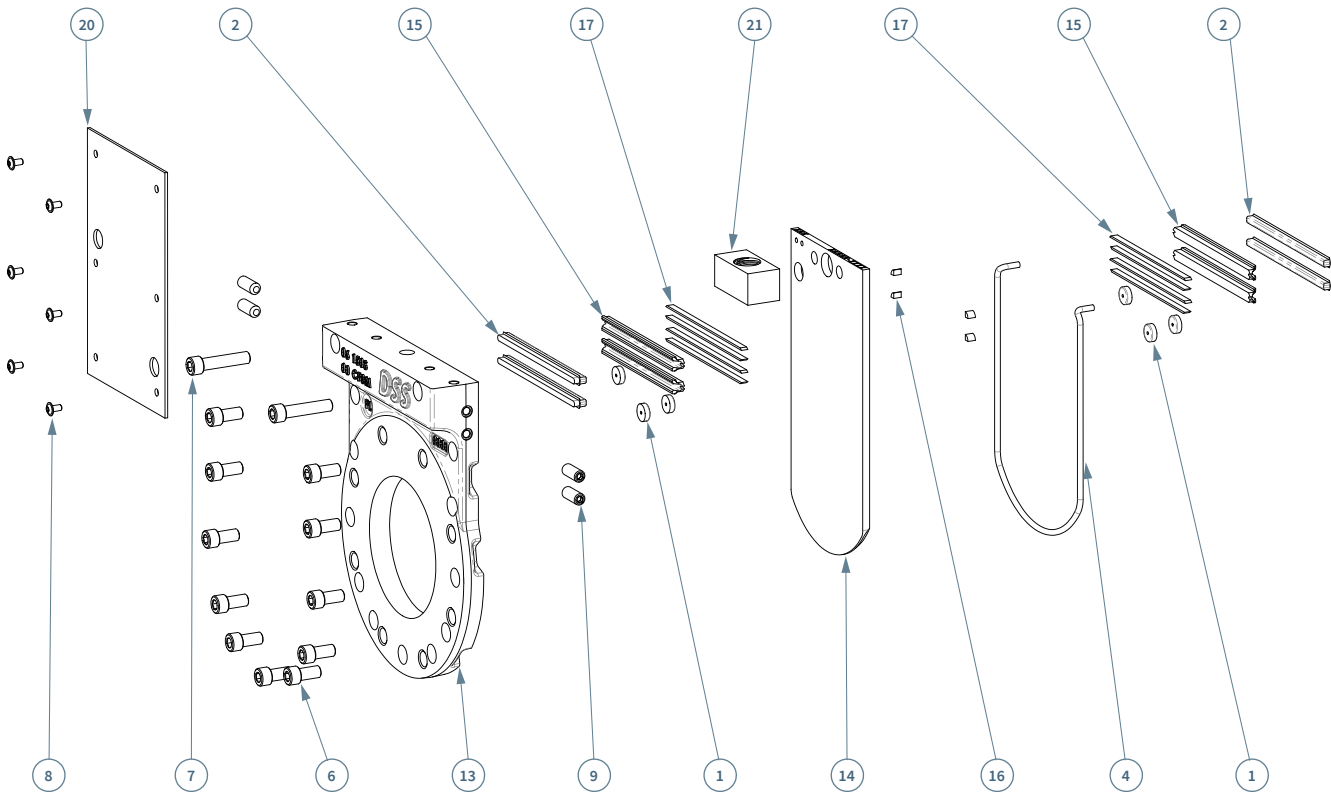
ITEM #	QTY	DESCRIPTION
1*	6	Disc, Gate Glide
2*	4	Packing
3*	1	Seal, Primary
4*	1	Seal, Secondary
5	8	Yoke Cap Screws
6	13	Body Bolts
7	2	Body Bolts, Rib
8	12	Dust Cover Screws
9	8	Packing Screws

ITEM #	QTY	DESCRIPTION
10	1	Lockout-Tagout Pin
11	1	Tag, Identification
12	1	Front Body
13	1	Back Body
14	1	Gate
15*	4	Cavity Seal
16*	4	Quarter Rounds
17	8	Scrapers
18	1	Left Yoke

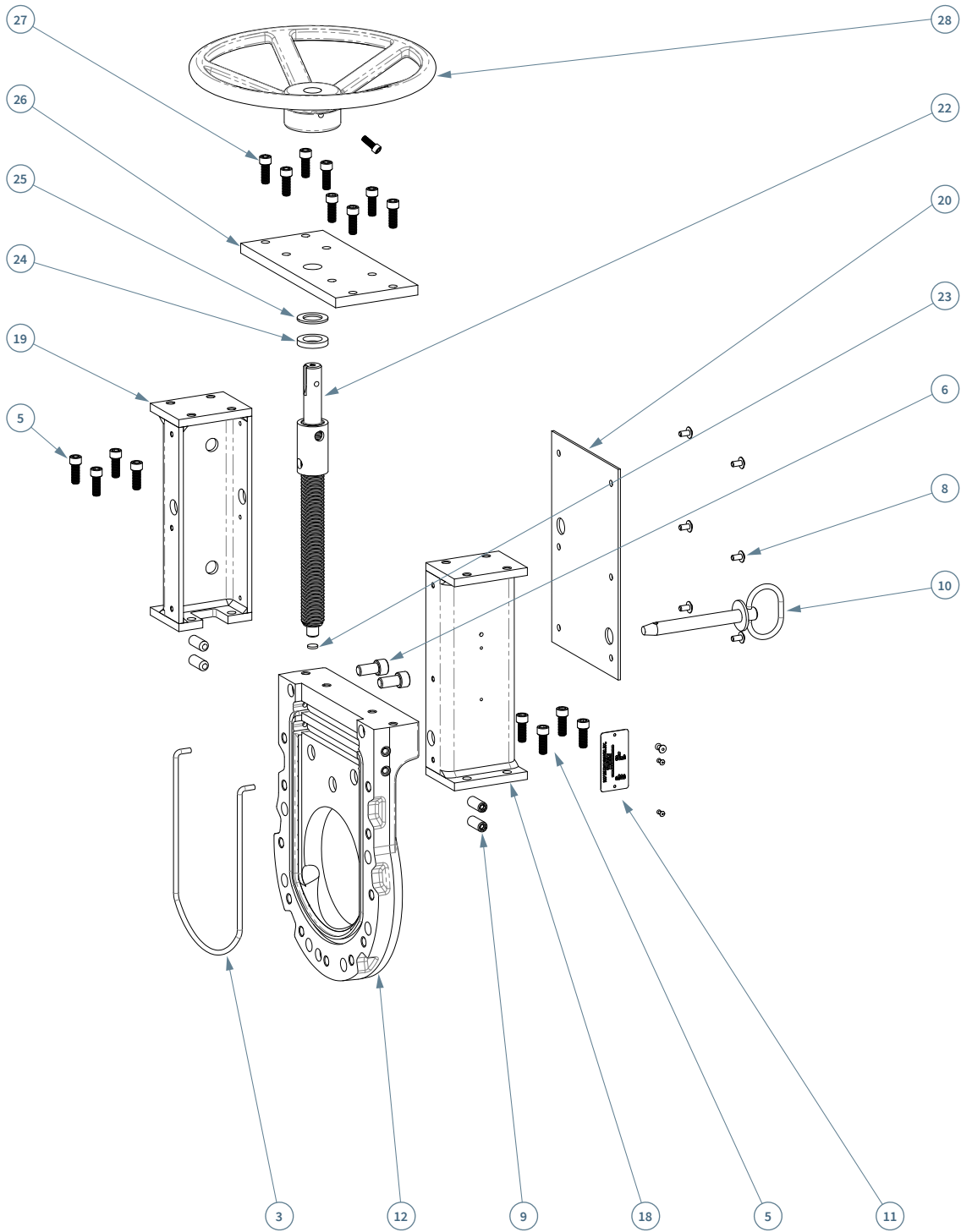
ITEM #	QTY	DESCRIPTION
19	1	Right Yoke
20	2	Dust Cover
21	1	Stem Nut
22	1	Stem
23	1	Thrust Disc
24	1	Thrust Washer
25	1	Thrust Bearing
26	1	Top Plate
27	8	Top Plate Screws
28	1	Handwheel

*Recommended spare parts. Available in standard repair kit. Valve Serial Number required for parts supply.

ITEM



Parts in this diagram and list represent a 6" ASME Class 150. Parts may vary slightly depending on order placed.



Severe Service Knife Gate Valve

Parts Diagram and List

SSKGV ASME Class 150, 300, 600, 900 and 1500—Pneumatic Cylinder

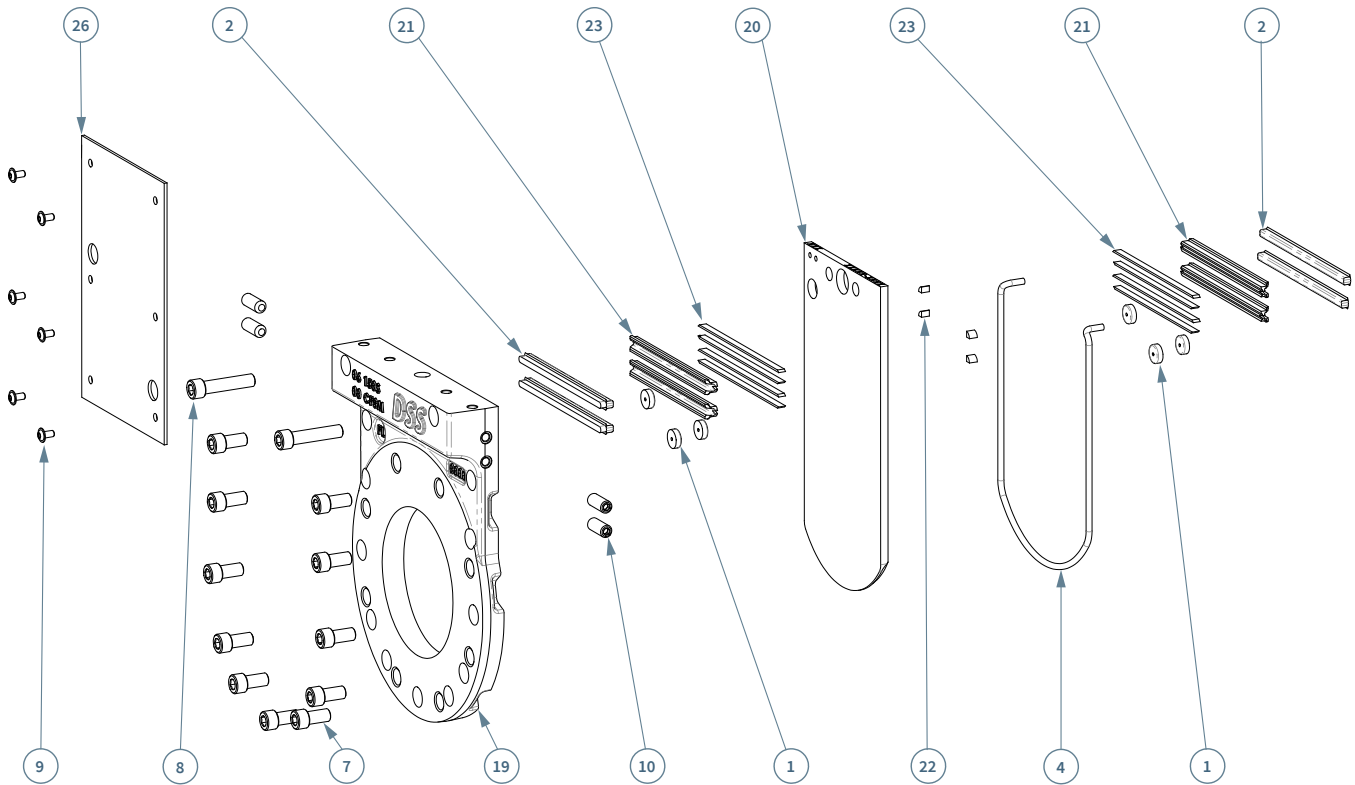
ITEM #	QTY	DESCRIPTION
1*	6	Disc, Gate Glide
2*	4	Packing
3*	1	Seal, Primary
4*	1	Seal, Secondary
5	8	Top Plate Screws
6	8	Yoke Cap Screws
7	11	Body Bolts
8	2	Body Bolts, Rib
9	12	Dust Cover Screws

ITEM #	QTY	DESCRIPTION
10	8	Packing Screws
11	1	Lockout-Tagout Pin
12	4	Cylinder Screws
13	1	Cylinder
14	1	Clevis Pin
15	1	Jam Nut
16	2	Retaining Ring
17	1	Tag, Identification
18	1	Front Body

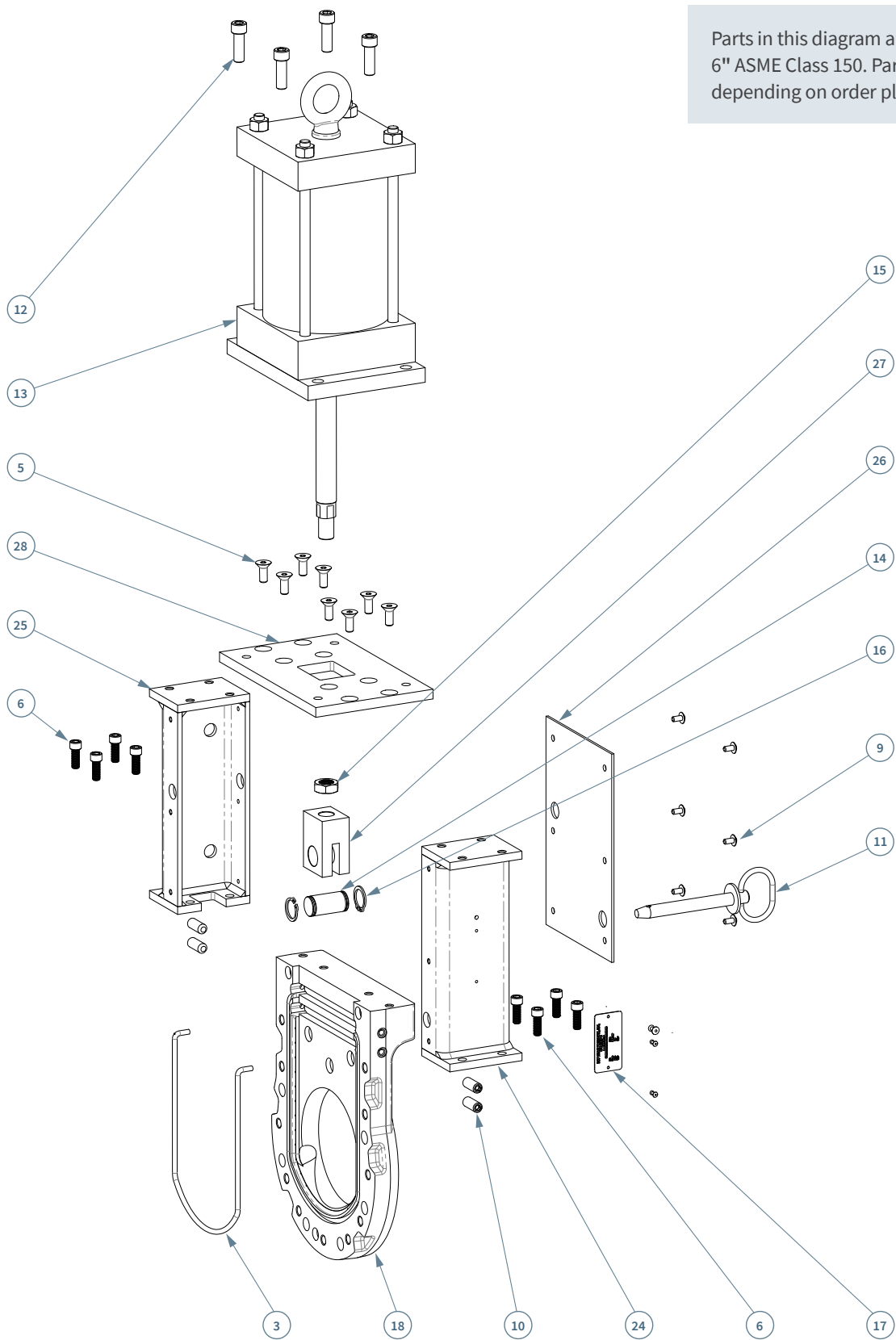
ITEM #	QTY	DESCRIPTION
19	1	Back Body
20	1	Gate
21*	4	Cavity Seal
22*	4	Quarter Rounds
23	8	Scrapers
24	1	Left Yoke
25	1	Right Yoke
26	2	Dust Cover
27	1	Clevis
28	1	Top Plate

*Recommended spare parts. Available in standard repair kit. Valve Serial Number required for parts supply.

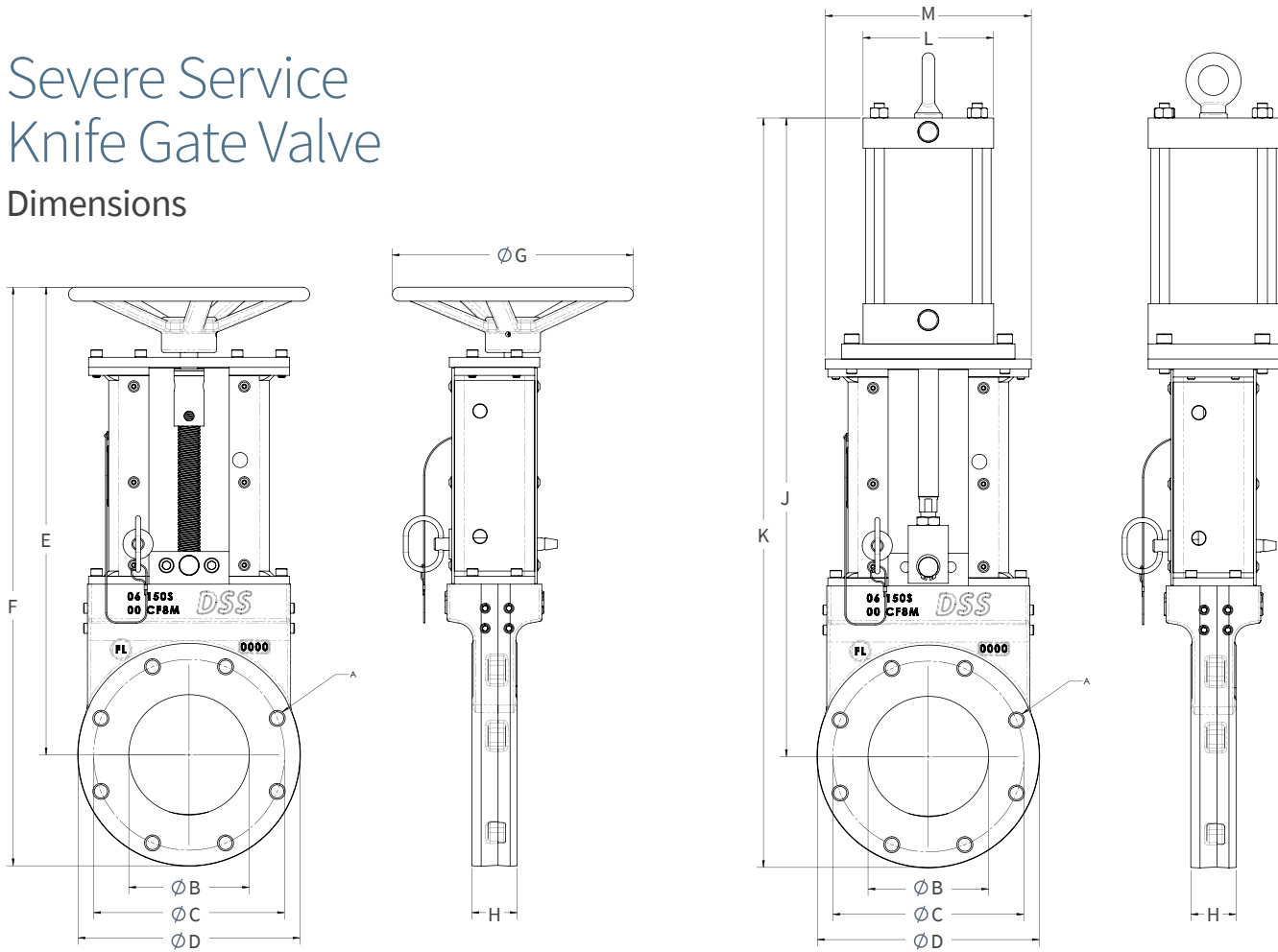
ITEM



Parts in this diagram and list represent a 6" ASME Class 150. Parts may vary slightly depending on order placed.



Severe Service Knife Gate Valve Dimensions



SSKGV CLASS 150 DIMENSIONS																						
Valve Size			Flange						Dimensions								Standard Pneumatic Cylinder Bore	Valve Weight [lbs]				
			Bolting		Dimensions				Face-to-Face Short Pattern		Face-to-Face Long Pattern				Hand-wheel	Bevel Gear		PC1 (Std.)	HC1 (Std.)			
NPS	DN [mm]	Class	QTY.	ØA (THREAD)	ØA (CLEARANCE)	ØB	ØC	ØD	E	F	ØG	H	H	J	K	L	M					
2	50	150	4	5/8-11	0.75	1.88	4.75	6.00	14.60	17.60	10.00	2.00	2.75	18.57	21.57	3.75	5.50	3.25	36	42	43	49
3	75		4	5/8-11	0.75	2.88	6.00	7.50	16.60	20.35	10.00	2.00	4.00	21.76	25.51	3.75	5.50	3.25	57	65	65	71
4	100		8	5/8-11	0.75	4.00	7.50	9.00	18.58	23.08	10.00	2.00	4.12	24.63	29.13	4.50	6.25	4.00	71	81	83	86
5	125		8	3/4-10	0.88	5.00	8.50	10.00	21.41	26.41	12.00	2.00	-	26.54	31.54	5.50	10.00	5.00	100	124	127	141
6	150		8	3/4-10	0.88	6.00	9.50	11.00	23.29	28.79	12.00	2.25	2.50	31.80	37.30	6.50	10.25	6.00	115	127	143	157
8	200		8	3/4-10	0.88	8.00	11.75	13.50	29.33	36.08	12.00	2.75	2.88	37.16	43.91	8.50	12.75	8.00	209	221	269	254
10	250		12	7/8-9	1.00	10.00	14.25	16.00	33.19	41.19	12.00	2.75	3.12	43.58	51.58	10.63	14.50	10.00	262	274	429	310
12	300		12	7/8-9	1.00	12.00	17.00	19.00	32.64	42.14	16.00	3.00	3.25	50.08	61.95	12.75	16.75	12.00	397	409	627	469
14	350		12	1-8	1.12	13.25	18.75	21.00	40.80	51.33	16.00	3.00	3.62	55.56	66.09	14.75	19.00	14.00	-	527	856	591
16	400		16	1-8	1.12	15.25	21.25	23.50	-	-	-	3.50	3.75	61.83	73.62	14.75	21.75	14.00	-	809	1311	959
18	450		16	1 1/8-8	1.25	17.25	22.75	25.00	-	-	-	3.50	4.12	67.83	80.38	14.75	24.00	14.00	-	940	1448	1098
20	500		20	1 1/8-8	1.25	19.25	25.00	27.50	-	-	-	4.50	4.50	74.58	88.33	19.00	26.25	18.00	-	1366	1969	1532
22	550		20	1 1/4-8	1.38	21.25	27.25	29.50	-	-	-	4.50	-	80.58	95.33	23.00	28.50	20.00	-	1552	2320	1552
24	600		20	1 1/4-8	1.38	23.25	29.50	32.00	-	-	-	4.50	5.00	86.33	102.33	23.00	30.25	20.00	-	1708	2475	1967
26	650		24	1 1/4-8	1.38	25.25	31.75	34.50	-	-	-	6.75	7.09	93.44	110.69	23.00	32.25	22.00	-	2378	-	-
28	700		28	1 1/4-8	1.38	27.25	34.00	36.50	-	-	-	7.12	7.12	100.45	118.70	25.25	34.25	24.00	-	2860	-	-
30	750		28	1 1/4-8	1.38	29.25	36.00	38.75	-	-	-	7.38	8.25	103.58	122.96	25.25	36.25	24.00	-	3433	-	-
32	800		28	1 1/2-8	1.63	31.25	38.5	41.75	-	-	-	8.12	8.62	112.51	133.39	27.50	39.00	26.00	-	4090	-	-
36	900		32	1 1/2-8	1.63	35.25	42.75	46.00	-	-	-	8.88	9.84	125.70	148.70	31.00	43.00	30.00	-	5320	-	-

SSKGV CLASS 300 DIMENSIONS																						
Valve Size			Flange						Dimensions									Standard Pneumatic Cylinder Bore	Valve Weight [lbs]			
			Bolting			Dimensions			E	F	ØG	Face-to-Face Short Pattern	Face-to-Face Long Pattern	J	K	L	M		Hand-wheel	Bevel Gear	PC1 (Std.)	HC1 (Std.)
NPS	DN [mm]	Class	QTY.	ØA (THREAD)	ØA (CLEARANCE)	ØB	ØC	ØD				H	H									
2	50	300	8	5/8-11	0.75	1.88	5.00	6.50	14.70	17.95	10.00	2.75	2.75	17.58	20.83	4.50	6.25	4.00	40	46	64	53
3	75		8	3/4-10	0.88	2.88	6.62	8.25	16.70	20.84	10.00	2.75	4.00	20.01	24.14	4.50	6.25	4.00	71	79	96	84
4	100		8	3/4-10	0.88	3.83	7.88	10.00	19.26	24.26	10.00	2.75	4.12	22.85	27.85	6.50	8.63	6.00	95	105	152	134
6	150		12	3/4-10	0.88	5.76	10.62	12.50	23.71	29.96	12.00	3.15	4.12	30.05	36.30	8.50	10.00	8.00	177	189	236	220
8	200		12	7/8-9	1.00	7.63	13.00	15.00	29.42	36.92	12.00	3.50	4.63	38.47	45.97	10.63	12.75	10.00	266	278	431	312
10	250		16	1-8	1.12	9.75	15.25	17.50	33.59	42.34	16.00	4.68	5.38	44.08	52.83	12.75	14.50	12.00	360	384	700	433
12	300		16	1 1/8-8	1.25	11.75	17.75	20.50	36.81	47.06	20.00	5.00	5.63	50.64	60.89	14.75	16.50	14.00	-	621	1115	738
14	350		20	1 1/8-8	1.25	13.00	20.25	23.00	41.30	52.80	20.00	5.50	6.25	56.05	67.55	17.00	19.00	16.00	-	860	1592	982
16	400		20	1 1/4-8	1.38	15.00	22.50	23.50	-	-	-	5.50	6.63	62.33	74.08	17.00	21.75	16.00	-	1174	2135	1392
18	450		24	1 1/4-8	1.38	17.00	24.75	28.00	-	-	-	6.25	7.00	68.33	82.33	17.00	24.00	16.00	-	1453	2666	1671
20	500		24	1 1/4-8	1.38	19.00	27.00	30.50	-	-	-	7.44	7.44	75.20	90.45	21.00	27.00	20.00	-	2062	3286	2380
22	550		24	1 1/2-8	1.63	21.00	29.25	33.00	-	-	-	8.50	8.50	81.70	98.20	23.00	28.50	22.00	-	2658	3894	3112
24	600		24	1 1/2-8	1.63	23.00	32.00	36.00	-	-	-	8.50	8.50	87.70	105.70	23.00	30.50	22.00	-	3121	4368	3559
26	650		28	1 5/8-8	1.75	25.00	34.50	38.25	-	-	-	8.50	8.50	97.38	116.51	25.00	32.25	24.00	-	3424	-	-
28	700		28	1 5/8-8	1.75	27.00	37.00	40.75	-	-	-	10.00	10.00	102.14	122.52	27.50	34.50	26.00	-	4150	-	-
30	750		28	1 3/4-8	1.88	29.00	39.25	43.00	-	-	-	10.50	10.50	106.88	128.38	27.50	36.50	26.00	-	4770	-	-
32	800		28	1 7/8-8	2.00	31.00	41.50	45.25	-	-	-	11.50	11.50	115.00	137.63	29.72	39.00	28.00	-	5810	-	-
36	900		32	2-8	2.12	35.00	46.00	50.00	-	-	-	12.00	12.00	126.57	151.57	33.63	43.00	32.00	-	7220	-	-

SSKGV CLASS 600 DIMENSIONS																						
Valve Size			Flange						Dimensions					Valve Weight [lbs]	Typical Pneumatic Cylinder							
			Bolting			Dimensions			Face-to-Face Short	H	J	K	L			M						
NPS	DN [mm]	Class	QTY.	ØA (THREAD)	ØA (CLEARANCE)	ØB	ØC	ØD	H					J	K		L	M				
2	50	600	8	5/8-11	0.75	1.88	5.00	6.50	3.25	21.01	24.26	6.50	8.63	103	PCT06 (Tandem)							
3	75		8	3/4-10	0.88	2.88	6.63	8.25	3.50	21.76	25.88	12.75	12.75	299	PC12							
4	100		8	7/8-9	1.00	3.83	8.50	10.75	4.00	25.85	31.23	14.75	14.75	467	PC14							
6	150		12	1-8	1.13	5.76	11.50	14.00	5.00	33.16	40.16	21.00	21.00	1,070	PC20							
8	200		12	1 1/8-8	1.25	8.00	13.75	16.50	5.50	42.22	50.47	25.00	25.00	1,905	PC24							
10	250		16	1 1/4-8	1.38	9.75	17.00	20.00	6.75	61.89	71.89	23.00	23.00	2,427	PCT22 (Tandem)							
12	300		20	1 1/4-8	1.38	11.75	19.25	22.00	7.50	73.64	84.64	27.50	27.50	3,649	PCT26 (Tandem)							
14	350		20	1 3/8-8	1.50	13.00	20.75	23.75	8.00	83.11	94.99	31.63	31.63	6,053	PCT30 (Tandem)							

SSKGV CLASS 900 DIMENSIONS																						
Valve Size			Flange						Dimensions					Valve Weight [lbs]	Typical Hydraulic Cylinder							
			Bolting			Dimensions			Face-to-Face Short	H	J	K	L			M						
NPS	DN [mm]	Class	QTY.	ØA (THREAD)	ØA (CLEARANCE)	ØB	ØC	ØD	H					J	K		L	M				
2	50	900	8	7/8-9	1.00	1.88	6.50	8.50	3.75	21.33	25.58	4.50	7.13	118	3.25							
3	75		8	7/8-9	1.00	2.88	7.50	9.50	4.00	24.39	29.14	4.50	6.75	158	3.25							
4	100		8	1 1/8-8	1.25	3.83	9.25	11.50	4.50	28.10	33.85	5.00	6.00	235	4.00							
5	125		8	1 1/4-8	1.38	4.81	11.00	13.75	5.75	31.98	38.86	6.50	9.50	395	5.00							
6	150		12	1 1/8-8	1.25	5.76	12.50	15.00	6.25	36.29	43.79	7.50	10.50	550	6.00							
8	200		12	1 3/8-8	1.50	8.00	15.50	18.50	7.00	45.16	54.41	8.50	13.50	901	7.00							
10	250		16	1 3/8-8	1.50	9.38	18.50	21.50	7.50	52.23	62.98	15.50	9.50	1,315	8.00							

*Please consult DSS Valves or an authorized distributor for bore sizing, actuator sizing or specialty orders. Larger sizes and higher pressure classes are available upon request.

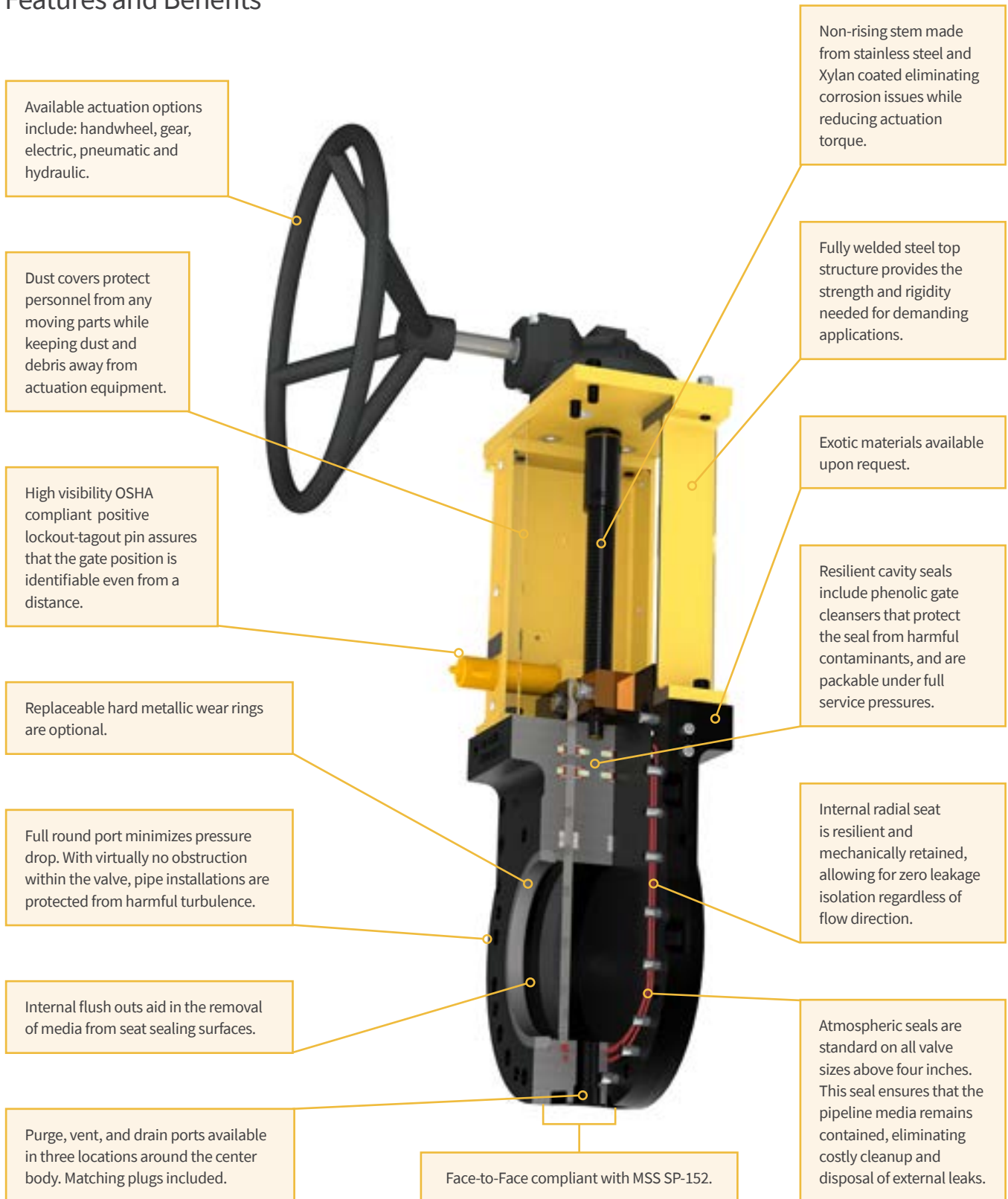
DBB

Double Block and Bleed



Double Block and Bleed

Features and Benefits



Available actuation options include: handwheel, gear, electric, pneumatic and hydraulic.

Dust covers protect personnel from any moving parts while keeping dust and debris away from actuation equipment.

High visibility OSHA compliant positive lockout-tagout pin assures that the gate position is identifiable even from a distance.

Replaceable hard metallic wear rings are optional.

Full round port minimizes pressure drop. With virtually no obstruction within the valve, pipe installations are protected from harmful turbulence.

Internal flush outs aid in the removal of media from seat sealing surfaces.

Purge, vent, and drain ports available in three locations around the center body. Matching plugs included.

Face-to-Face compliant with MSS SP-152.

Non-rising stem made from stainless steel and Xylan coated eliminating corrosion issues while reducing actuation torque.

Fully welded steel top structure provides the strength and rigidity needed for demanding applications.

Exotic materials available upon request.

Resilient cavity seals include phenolic gate cleansers that protect the seal from harmful contaminants, and are packable under full service pressures.

Internal radial seat is resilient and mechanically retained, allowing for zero leakage isolation regardless of flow direction.

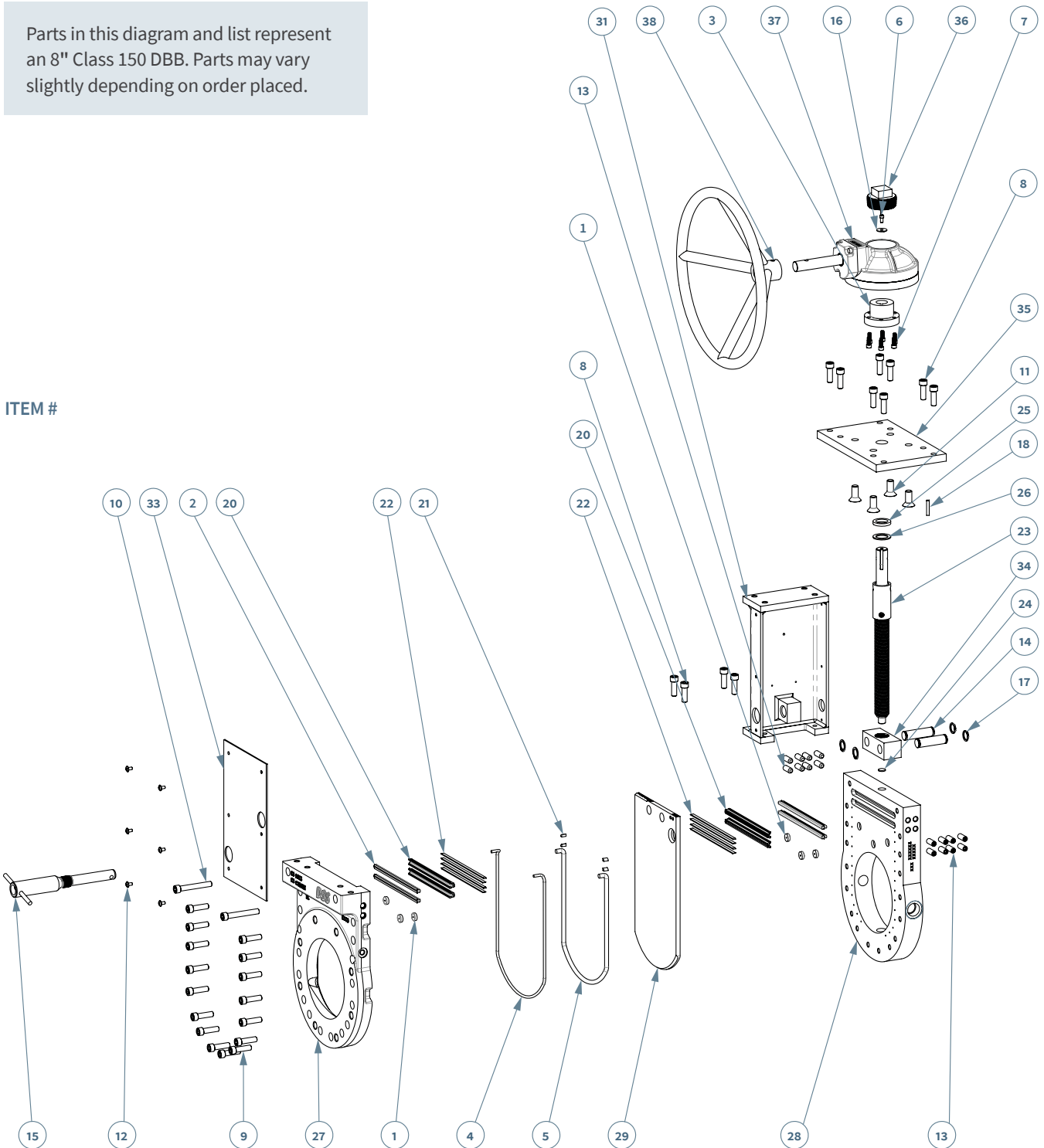
Atmospheric seals are standard on all valve sizes above four inches. This seal ensures that the pipeline media remains contained, eliminating costly cleanup and disposal of external leaks.

Double Block and Bleed

Parts Diagram and List

Parts in this diagram and list represent an 8" Class 150 DBB. Parts may vary slightly depending on order placed.

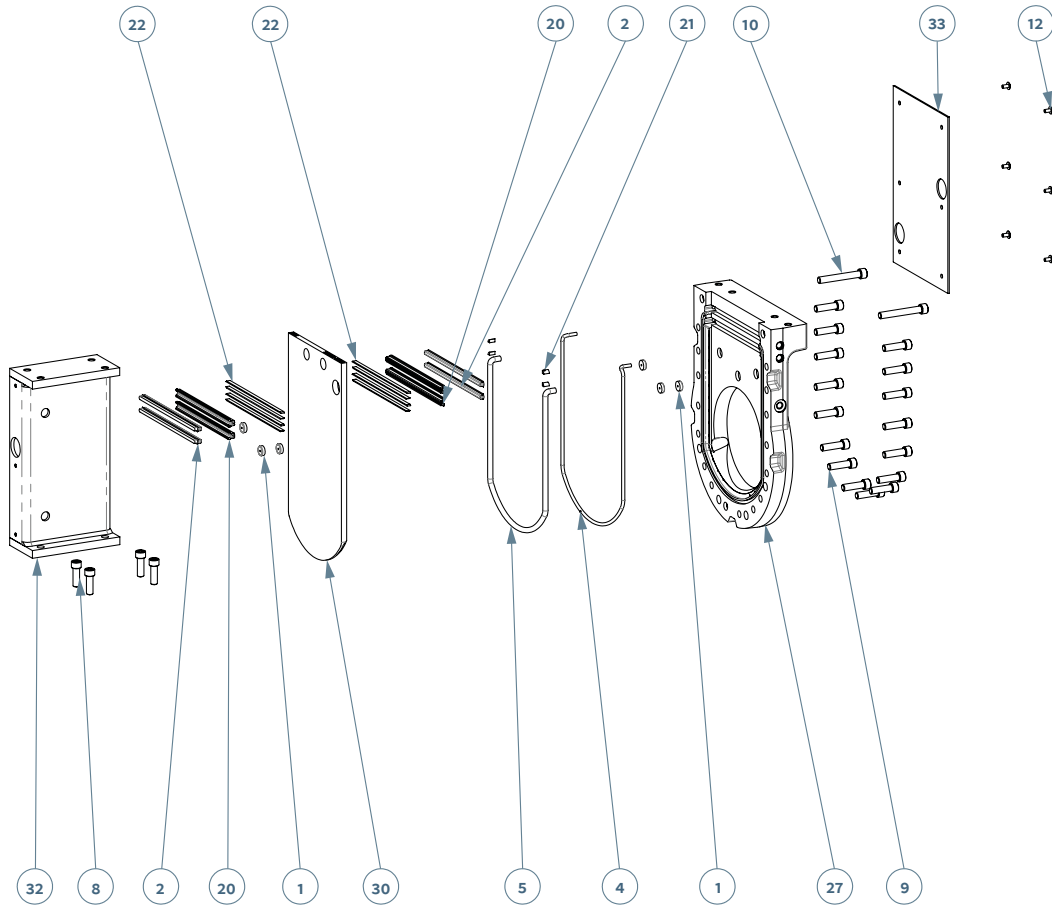
ITEM #



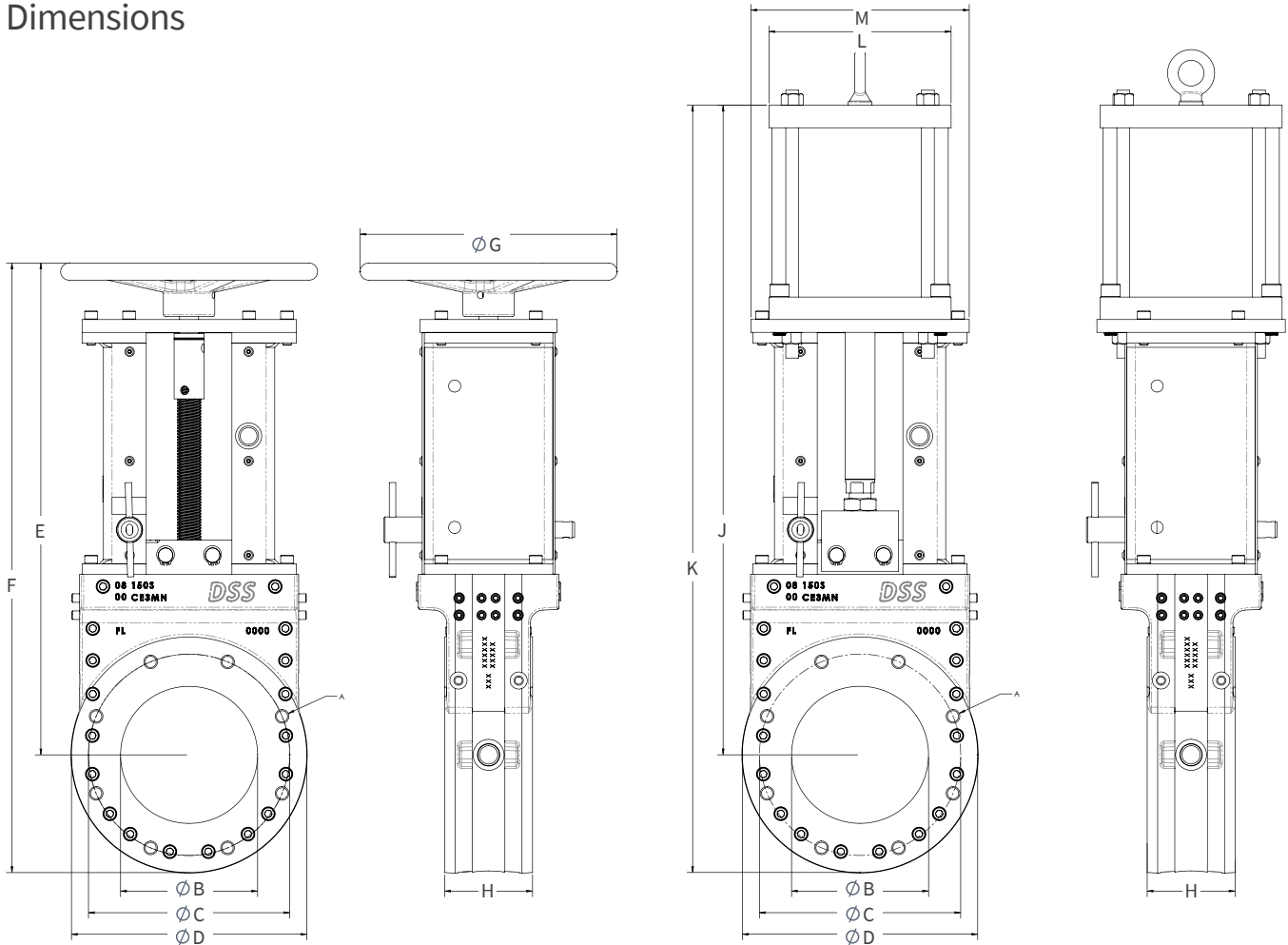
ITEM #	QTY	DESCRIPTION	ITEM #	QTY	DESCRIPTION	ITEM #	QTY	DESCRIPTION
1*	12	Disc, Gate Glide	14	2	Pin, Clevis	27	2	Body, Double Block and Bleed Front
2*	2	Packing	15	1	Pin, Positive Lockout-Tagout	28	1	Body, Double Block and Bleed Center
3	1	Drive Hub, Bevel Gear 3	16	1	Key Retnr Washer	29	1	Gate A, Double Block and Bleed
4*	2	Seal, Secondary	17	4	Clevis Pin Rtnng Ring	30	1	Gate B, Double Block and Bleed
5*	2	Seal, Primary	18	1	Stem Key	31	1	Yoke, Double Block and Bleed Left
6	1	Key Rtnr Cap Screw	19	1	Tag, Identification	32	1	Yoke, Double Block and Bleed Right
7	6	Hub Mtg Cap Screw	20	8	Seal, Cavity	33	2	Cover, Double Block and Bleed Dust
8	16	Yoke Cap Screws	21	8	Seal, Quarter	34	1	Nut, Screw
9	32	Body Screws	22	12	Blade, Seal Scraper	35	1	Plate, Bevel Gear 3
10	4	Body Screws, Rib	23	1	Screw, Assembly	36	1	2-1/2 Hollow Pipe Plug, B16.14
11	4	Gear Mtg Screws	24	1	Disc, Thrust	37	1	Bevel Gear Reducer, 3:1
12	12	Dust Cover Screws	25	1	Washer, Thrust	38	1	Handwheel, 18" Round Recessed
13	16	Packing Screws	26	1	Bearing, Thrust			

*Recommended spare parts. Available in standard repair kit.

ITEM #



Double Block and Bleed Dimensions



DBB SSKGV CLASS 150 DIMENSIONS

Valve Size			Flange						Dimensions								Standard Pneumatic Cylinder Bore*
			Bolting			Dimensions											
NPS*	DN [mm]	Class	QTY.	ØA (THREAD)	ØA (CLEARANCE)	ØB	ØC	ØD	E	F	ØG	H	J	K	L	M	
2	50	150	4	5/8-11	0.75	1.88	4.75	6.00	14.60	17.60	10.00	3.75	18.57	21.57	4.50	5.50	4.00
3	75		4	5/8-11	0.75	2.88	6.00	7.50	16.60	20.35	10.00	3.75	21.76	25.51	4.50	5.50	4.00
4	100		8	5/8-11	0.75	4.00	7.50	9.00	18.58	23.08	10.00	3.75	24.76	29.26	6.50	6.25	6.00
6	150		8	3/4-10	0.88	6.00	9.50	11.00	23.29	28.79	12.00	4.00	31.93	37.43	8.50	10.25	8.00
8	200		8	3/4-10	0.88	8.00	11.75	13.50	29.33	36.08	12.00	5.13	37.91	44.66	10.63	12.75	10.00
10	250		12	7/8-9	1.00	10.00	14.25	16.00	33.19	41.19	12.00	5.13	43.64	51.64	12.75	14.50	12.00
12	300		12	7/8-9	1.00	12.00	17.00	19.00	32.64	42.14	16.00	5.75	50.65	62.52	14.75	16.75	14.00
14	350		12	1-8	1.12	13.25	18.75	21.00	-	-	-	5.75	55.81	66.34	17.00	19.00	16.00
16	400		16	1-8	1.12	15.25	21.25	23.50	-	-	-	6.50	62.08	73.87	17.00	21.75	16.00
18	450		16	1 1/8-8	1.25	17.25	22.75	25.00	-	-	-	6.50	68.08	80.63	17.00	24.00	16.00
20	500		20	1 1/8-8	1.25	19.25	25.00	27.50	-	-	-	8.13	74.83	88.58	21.00	26.25	20.00
24	600		20	1 1/4-8	1.38	23.25	29.50	32.00	-	-	-	8.13	86.95	102.95	23.00	30.25	22.00
30	750		28	1 1/4-8	1.38	29.25	36.00	38.75	-	-	-	12.25	103.58	122.96	-	36.25	26.00
36	900		32	1 1/2-8	1.63	35.25	42.75	46.00	-	-	-	14.75	125.70	148.70	-	43.00	32.00

*Please consult DSS Valves or an authorized distributor for bore sizing, actuator sizing or specialty orders. Larger sizes and higher pressure classes are available upon request.

Design Specs and Material List

All DSS Valves meet the following design and build specifications:

API 598

ASME 16.34

ASME 16.47

ASME 16.5

MSS SP-25

MSS SP-55

MSS SP-81

MSS SP-135

MSS SP-151

MSS SP-152

MATERIALS					
Code	Cast		Wrought		Common Name
	Standard/Grade	UNS	Standard/Grade	UNS	
17	A747 CB7Cu-1	J92180	A693	S17400	17-4 PH
22	A995 Gr. 4A CD3MN	J92205	A240	S31803	Duplex 2205
25	A995 Gr. 5A CE3MN	J93404	A240	S32750	Super Duplex 2507
31	-	-	B625	N08031	Alloy 31/Nicrofer 3127 hMo
37	A351 CG8M	J93000	A240	S31700	317 SS
94	-	-	B625	N08904	904L
6X	A351 CN3MN	J94651	A240/B688	N08367	AL6XN
A2	A351 CN7M	N08007	B463	N08020	Alloy 20
CS	A216 WCB	J13345	A516 Gr. 70	-	Carbon Steel
DI	A536 65-45-12	F33100	-	-	Ductile Iron
DN	A439 D2	F43000	-	-	Ni-Resist D2
HC	A494 CW12MW	N30002	B575	N10276	Hastelloy C-276
NI	A436 Gr. 1	F41000	-	-	Ni-Resist 1
SS	A351 CF8M	J92900	A240	S31600	316 SS
T2	B367 Gr. C-2	R50400	B265 Gr. 2	-	Titanium Gr.2
T5	B367 Gr. C-5	R56400	B265 Gr. 5	-	Titanium Gr.5
T8	B367 Gr. C-8	R54810	B265 Gr. 8	-	Titanium Gr.8
TT	B367 Gr. C-12	R53400	B265 Gr. 12	-	Titanium Gr.12
XX	-	-	-	-	Other



Ordering Information

TYPE	SERIES	FLANGE	SIZE

BODY

GATE

TYPE	P/N
Severe Service Knife Gate Valve	SV
Double Block and Bleed Valve	DB
Transmitter Isolation Valve	TI
Round to Square Knife Gate Valve	RS
Soft Start Paste Valve	PV
Control Valve	CV
Through Gate Valve	TG

SERIES	P/N
Class 150	1
Class 300	3
Class 600	6
Class 900	9
Class 1500	15

FLANGE	P/N
SP 135 Short, ASME B16.5 [2" to 24"]	S
SP 135 Long, ASME B16.5 [2" to 24"]	L
SP 135 Short, ASME B16.47 [26" to 60"] Series A	S
SP 135 Long, ASME B16.47 [26" to 60"] Series A	L
SP 135 Short, ASME B16.47 [26" to 60"] Series B	J
SP 135 Long, ASME B16.47 [26" to 60"] Series B	K
AS 2129 - Table D	D
AS 2129 - Table E	E
DIN 2501 - PN10	T
DIN 2501 - PN16	P
DIN 2501 - PN25	W
DIN 2501 - PN40	F

SIZE	P/N
1 inch	01
1.5 inch	1H
2 inch	02
2.5 inch	2H
3 inch	03
4 inch	04
5 inch	05
6 inch	06
7 inch	07
8 inch	08
10 inch	10
12 inch	12
14 inch	14
16 inch	16
18 inch	18
20 inch	20
22 inch	22
24 inch	24
26 inch	26
28 inch	28
30 inch	30
32 inch	32
36 inch	36
40 inch	40
42 inch	42
48 inch	48
60 inch	60
Other (specify)	XX

BODY MATERIAL	P/N
17.4 PH [A747 CB7Cu-1]	17
316 SS [A351 CF8M]	SS
317 SS [A351 CG8M]	7S
AL6XN [A351 CN3MN]	6X
Alloy 20 [A351 CN7M]	A2
Carbon Steel [A216 WCB]	CS
Cast Iron [A536 65-45-12]	CI
Duplex 2205 [A995 Gr. 4A CD3MN]	22
Hastelloy C-276 [A494 CW12MW]	HC
Ni-Resist 1 [A436 Gr. 1]	NI
Ductile Ni-Resist D2 [A439 D2]	DN
Super Duplex 2507 [A995 Gr. 5A CE3MN]	25
Titanium Grade 2 [B367 Gr. C-2]	T2
Titanium Grade 5 [B367 Gr. C-5]	T5
Titanium Grade 7 [B367 Gr. C-7]	T7
Titanium Grade 8 [B367 Gr. C-8]	T8
Titanium Grade 12 [B367 Gr. C-12]	TT
Aluminum	AL
Other (specify)	XX

GATE MATERIAL	P/N
17.4 PH [A693]	17
316 SS [A240]	SS
AL6XN [A240/B688]	6X
Carbon Steel [A516 Gr. 70]	CS
D55 Tool Steel	D5
Duplex 2205 [A240]	22
Hastelloy C-276 [B575]	HC
Super Duplex 2507 [A240]	25
Titanium Grade 2 [B265 Gr. 2]	T2
Titanium Grade 5 [B265 Gr. 5]	T5
Titanium Grade 7 [B367 Gr. C-7]	T7
Titanium Grade 8 [B265 Gr. 8]	T8
Titanium Grade 12 [B265 Gr. 12]	TT
Aluminum	AL
Other (specify)	XX

Please note: Maximum pressure rating of valve will not exceed the ratings for the flange standard selected. Consult factory for other flange options.

VALVE SEALS

SCRAPERS

ACTUATION	CYLINDER SIZE	ACT. SEALS

OPTION

OPTION

OPTION

SEALS	P/N
Aflas [25 to 450°F] [-4 to 230°C]	AF
Buna N [-30 to 250°F] [-34 to 121°C]	BN
Chemraz [-20 to 600°F] [-28 to 315°C]	CH
EPDM [-65 to 265°F] [-54 to 129°C]	EP
GFLT Viton [-29 to 437°F] [-34 to 225°C]	GF
Graphite [Temperature limited by valve body materials]	GR
Polyurethane [-30 to 180°F] [-34 to 82°C]	PL
Teflon [-328 to 500°F] [-200 to 260°C]	TF
Viton [-15 to 437°F] [-26 to 225°C]	VI
Special (specify)	XX

SCRAPERS	P/N
Phenolic	1
Stainless	2
Brass	3
Special (Specify)	0

ACTUATION	P/N
Bare Yoke	BY
Bevel Gear	BG
Chainwheel	CW
Electric Actuator	EA
Gate & Body Only	GB
Gear Operator	GO
Handwheel	HW
Hydraulic Cylinder	HC
Low Profile	LP
Oversize Handwheel	OH
Pneumatic Cylinder	PC
Ratchet Handle	RH
Spring Extend [Fail Close]	SC
Spring Return [Fail Open]	SO

ACTUATION SEALS	P/N
Standard [-30°F to 250°F] [-34 to 121°C]	S
Low Temp [-70°F to 200°F] [-57°C to 93°C]	L
High Temp [-20°F to 250°F] [-29°C to 121°C]	H

BUILD OPTIONS	
Wear Ring (Inlet & Outlet)	S1
Wear Ring (Inlet)	S2
Bore Reducer (Inlet & Outlet)	S3
Bore Reducer (Inlet)	S4
V-Port	S5
Drilled Through Flange Holes	S6
Chest Relief	S7
Gate Guide Modification	S8
Purge Ports (Chest)	S9
Purge Ports (Nose)	S10
Stainless Steel Top Structure (304)	S11
Stainless Steel Top Structure (316)	S12
Stainless Steel Bolts (316)	S13

BUILD OPTIONS CONTINUED	
Stainless Steel Bolts (304)	S14
Stellite Tipped Gate	S15
Hardchrome Gate	S16
Hardfaced Port	S17
Raised Face Flange	S18
Xylan Bodies & Gate	S19
Xylan Gate	S20
Special Paint TopWorks	S21
Special Paint Actuator	S22
Limit Switches	S23
Proximity Switches [HAWKEYE]	S24
Positioner	S25
Position Indicator	S26
Control Solenoid	S27
Chrome Carbide Gate Nose	S28
UNC Flange Threads	S29
Lifting Lugs	S30
Extended Flushout Ports	S31
Prox/Limit Switch Prep only	S32
Reed Switch Cylinder Prep	S33
Metal Bonnet Covers (304SS)	S34
Manual Override [Cylinder]	S35
Internal Transducer [Baluff]	S36
Internal Transducer [ROTA]	S37
Rod boot [Cylinder]	S38
Low Profile [Cylinder]	S39
Body Material Compatible Drain Plugs [DBB Valves]	S40
Xylan Coated Bolts	S41
Clear Xylan Bodies & Gate	S42
Clear Xylan Gate	S43
SevereGuard Bodies & Gate	S44
White Xylan Bodies & Gate	S45
White Xylan Gate	S46
Expanded Metal Bonnet Covers (304SS)	S47
SevereGuard Gate	S48
Corrosive/Marine Coating [Cylinder]	S49
Ultra Corrosive Construction [Cylinder]	S50
High Temp Construction [Cylinder]	S51
High Vibration Construction [Cylinder]	S52
Prox/Limit Switch Prep Only 316SS	S53
Positive Lock Out	S54
Other (Specify)	S99





ISO 9001:2015 Certified

“I have been consulting and auditing since 2000 and have never come across a company as young as DSS Valves successfully obtaining their ISO certification. The fact that they were able to complete this so quickly highlights both the level of expertise the founders provide and the company-wide belief in consistently producing a high quality product.”

Debra Hay Hampton

LA Lead Auditor—QMS



Ready When You Are

Located in Niles, Michigan, our manufacturing facility is primed and ready to serve your severe service needs. With over 90,000 square feet of manufacturing space and a dedicated crew in operation around the clock, we take pride in our ability to deliver a *cutting edge valve* at an industry leading pace.

To learn more, contact us at info@dssvalves.com. We look forward to working with you.

Contact Us

DSS Valves
1800 Mayflower Road
Niles, MI 49120
USA

TEL: 269-409-6080
FAX: 269-409-6099
info@dssvalves.com
DSSVALVES.COM